



Gen III Entree Bath

ARCHITECTURAL SPECIFICATIONS & ROUGH-IN INFORMATION

MODEL MB-68 AV-XL

Important Safety Instructions
Read & Follow All Instructions Thoroughly

MasterCare
Patient Equipment, Inc



Important safety instructions. Read and follow all instructions thoroughly.

CAUTION: The caution heading identifies important maintenance and operation information. Failure to obey a caution warning may result in damage to the Entree Bath and may void the warranty.



Entrée Bath Gen III

ARCHITECTURAL SPECIFICATIONS & ROUGH-IN INFORMATION



Entrée Bath Gen III

ARCHITECTURAL SPECIFICATIONS & ROUGH-IN INFORMATION

DIMENSIONS

Exterior Dimensions

Width	Door Closed.....	36"
Width	Door Opened.....	34.25"
Length	MB-68-AV (XL) Standard Wall Placement	80"
Height	To top of Console	72"

Interior Dimensions

Length-Straight.....	51"
Length-Diagonal	52"
Seat Depth	22" at Widest Point
Seat Area Width (w/ Door Closed).....	25"
Seat Height	20.5"

SPECIFICATIONS

Back Flow Prevention:	Double check valves for shower Spray complies with CSA B64.7, UPC, Certified to NSF/ANSI 372, ASSE 1035 "Laboratory Faucet Vacuum Breakers". Fill: 1.5" A gap above rim complies with National Plumbing Standards. (See plumbing standards below.) Note: The factory provided backflow prevention is the most widely accepted. Local codes may require changes. The local plumbing contractor is responsible for any changes.
BathAire^(SM) Outlets:	4 with 12 ports each for a total of 48 warm air massage outlets.
Capacity	500 lbs
Door Seal:	Seal certified by Warnock Hersey to the ASME A112.19.15-2005, CSA B45.0-02 (R2008) and ANSI Z124.1.2 (2008) standards to ensure long lasting durability for bathtubs with pressure sealed doors, Highly resistant to oils, detergents and all water conditions.
Electrical:	Factory provided on board installed dead front Ground Fault Circuit Interrupter (GFCI): UL/CSA approved.
Installation Time:	4 hour (when water and electrical supplies meet the provided rough-ins.) Inspection and Adjustments: 1/2 hour
Motor Specs:	Max Load: Push 4000 N, Power Rate: 24 V Max. 5.1 A, Duty Cycle: Max 10%, Max 2 min / 18min
BathAire^(SM) Motor:	120 V, 11 Amp, 1.3 H.P. Variable speed with built-in 600 watt heating element for maximum comfort and control.
Room Size:	11' wide x 11' long minimum recommended.
Switches:	Membrane and Pneumatic.
Thermometer:	Digital temperature measurements.
Door/Entry:	Door full length of tub with swivel seat rotating out for easy transfer.
Tub Fill/Shower:	Built-in thermostatic mixing valve certified to ASSE 1016-2005, ASME A112.18.1-2005,



Entrée Bath Gen III

ARCHITECTURAL SPECIFICATIONS & ROUGH-IN INFORMATION

CSA B125 and UPC listed.

- Tub Fill / Shower shut off:** Valves certified ASSE and UPC listed with ceramic disc controls.
- Tub Shell:** Sanitary gel-coated FRP (Fiberglass Reinforced Polymer).
- Tub Water Use:** 65 gallons minimum with normal displacement 4 inches below overflow escutcheon.
- Waste:** 2" PVC schedule 40 pipe. DO NOT Hard-Plumb for ease of accessibility for servicing.
- Water Connection:** 3/4" SS braided flex hose with female pipe thread connections.
- Water Supply:** 3/4" hot and cold with shut-offs. Hot and cold water pressure 45-90 psi. Hot water temperature to be 120° F and cold water 59° F.
- Shipping Weight:** Approximately 1,000 lbs.
- Fill Rate:** In excess of 17 GPM provided that the water lines are 3/4", water pressure is at least 60 psi and the hot water is 120° F. Facility and/or other environmental factors may affect the fill rate.

Establishment Registration 3003336913



- 1) ***Risk of electrical shock: Disconnect electric power source before installation and subsequent servicing.***
- 2) ***An equipment-grounding terminal is provided in the field wiring compartment. To reduce the risk of electrical shock, this terminal must be connected to the grounding means provided in the electric supply panel with a conductor equivalent in size to the circuit conductors supplying this equipment.***
- 3) ***Install this unit in accordance with the U.S. National Electrical Code in the U.S.A. and the Canadian Electrical Code, Part I in Canada. Electrical service receptacle must be grounded for product with a 3-prong cord. In addition, the equipment ground bond wire must be attached per wiring diagram.***

High Quality and wood stud floor or concrete required.

IMPORTANT: This tub should be installed against a finished wall or alcove. DO NOT BUILD THE TUB IN so it can be moved for serviceability if necessary.

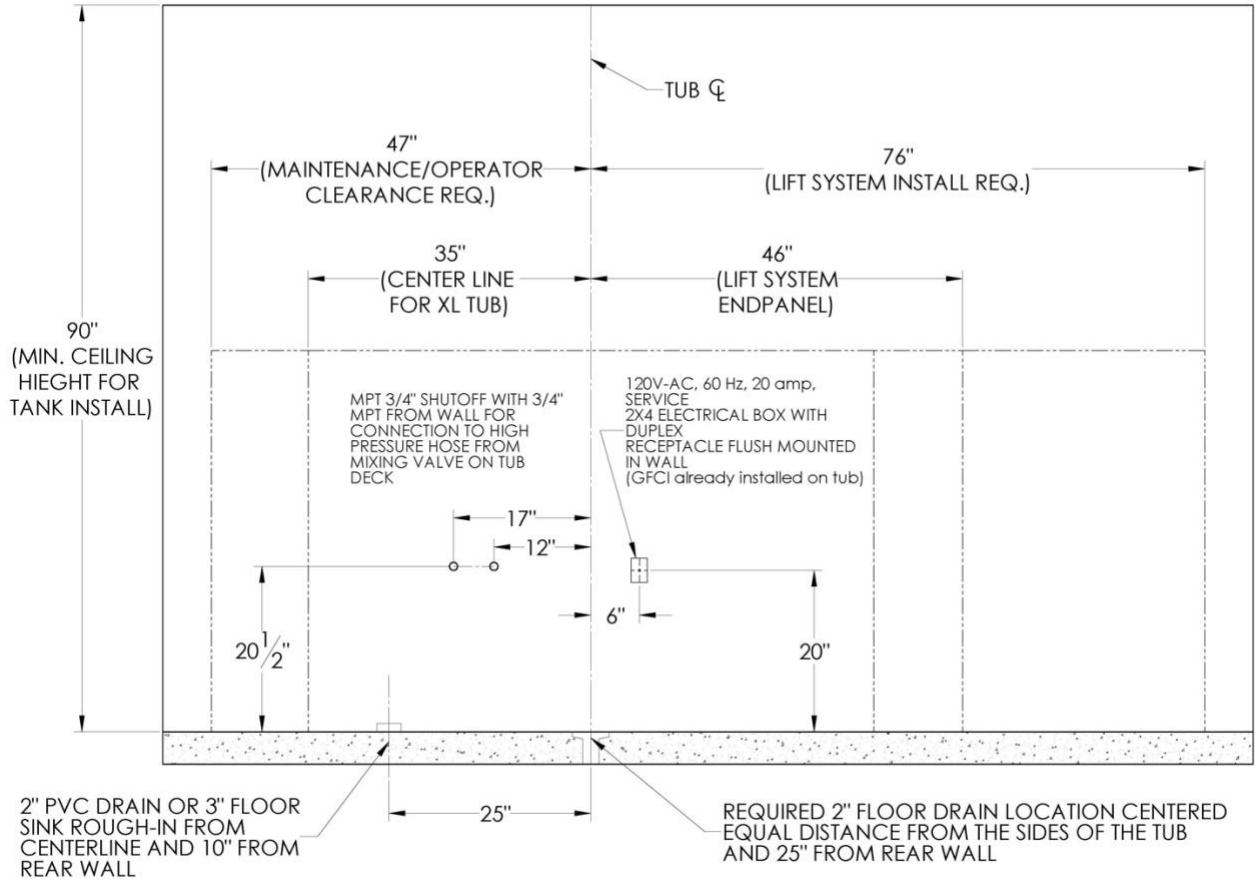


Entrée Bath Gen III

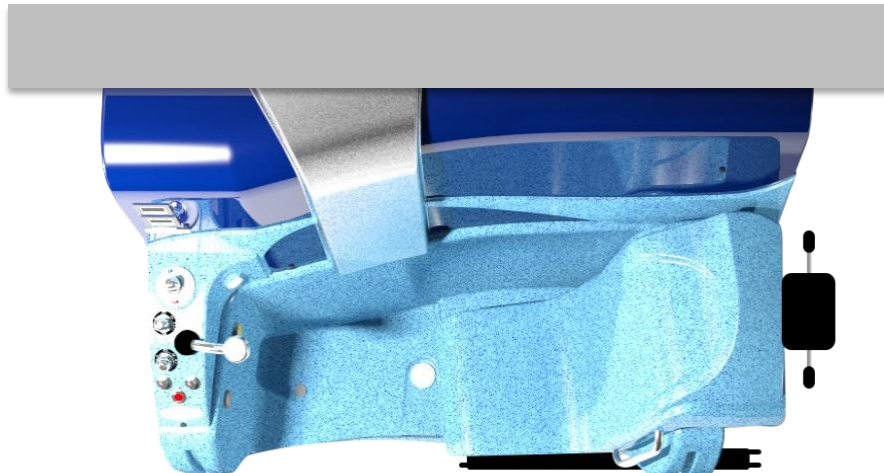
ARCHITECTURAL SPECIFICATIONS & ROUGH-IN INFORMATION

PLUMBING & ELECTRICAL ROUGH-IN INFORMATION, TUB ANCHORING INFORMATION

WALL TUB



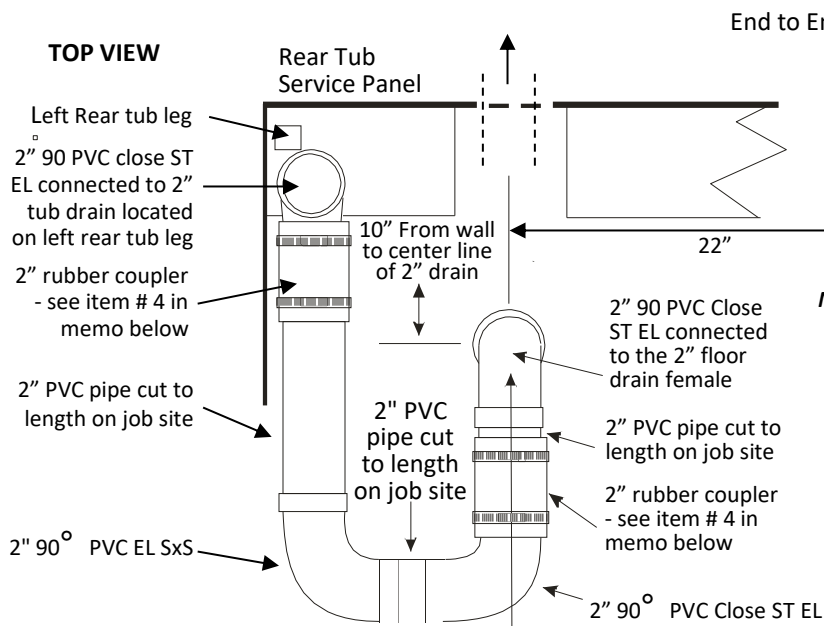
Placement Configuration





Entrée Bath Gen III

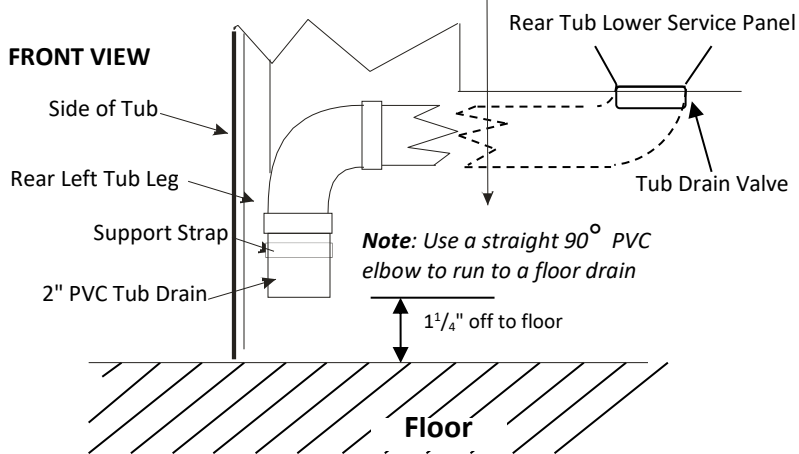
ARCHITECTURAL SPECIFICATIONS & ROUGH-IN INFORMATION



Note: This "U" portion of drain must be installed low profile to keep from interfering with tub door.

MEMO:

1. Parts shown in the top view of this suggested layout are to be supplied by the installing contractor.
2. All drain connecting parts supplied by the contractor must meet National and State Plumbing Codes.
3. If floor sink used, it must be at least three inches in diameter.
4. If rubber coupler does not meet code, use any type of detachable coupler that meets code to allow drain assembly to be uncoupled so tub can be slid out for service.



Note: The "U" section must be installed "low profile" so that it will clear the tub door when in open position. The reason for the "U" configuration is for ease of disconnection in the event the tub needs to be slid out for service.

