



Gen III Entree Bath

INSTALLATION MANUAL

MODEL MB-68 AV-XL

Important Safety Instructions
Read & Follow All Instructions Thoroughly

MasterCare
Patient Equipment, Inc



Important safety instructions. Read and follow all instructions thoroughly.

CAUTION: *The caution heading identifies important maintenance and operation information. Failure to obey a caution warning may result in damage to the Entree Bath and may void the warranty.*



Entrée Bath Gen III

INSTALLATION MANUAL



Entrée Bath Gen III

INSTALLATION MANUAL

BEFORE STARTING TOOLS NEEDED FOR INSTALLATION



Adjustable Wrench



Tape Measure



Channel Locks



1/2" Deep and 9/16" Deep Socket and Ratchet



#2 Phillips Screwdriver



5/16 Nut Driver



Hammer Drill



7/16" Masonry Drill Bit



Hand Held Thermometer



Caulking Gun



Entrée Bath Gen III

INSTALLATION MANUAL

ENTRÉE GEN 2.5 LOCATION REFERENCE

Foot End Controls

Console

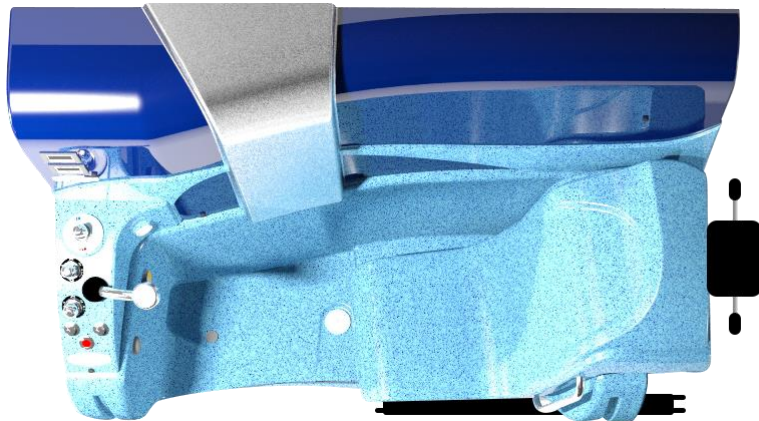


Chair

High Quality and Wood Stud Floor or Concrete Required.
If installed a heated floor, make sure to allow for the tub to be anchored to the floor.
We would recommend not installing a heated floor under the bath.

TOP VIEW OF TUB

Back of the Top



Front of the Top

Service Access





Entrée Bath Gen III

INSTALLATION MANUAL

INSTALLATION CHECK LIST

1. Upon Receipt:

Immediately upon receipt, check for visible freight damage. If damage is found, or Shock & Tip Tag is altered, do not accept delivery.

It must be reported, communicated and documented immediately to the freight company and MasterCare 1-800-798-5867. Proceed to inspect the tub for hidden and concealed damage. Leave the tub on the pallet until ready for installation. If the tub is going to be stored for a period of time before installation, cover it with a tarp to protect it from dust and construction debris.

Shock and Tip Tags



2. Entree Bath Uncrating Instructions: (Note: Read and follow instructions thoroughly. Refer to the drawing on following page to reference details.)

1. Remove the stretch wrap (plastic) from the outside of the crate.
2. Remove the ten (10) lag screws from the bottom of the crate (Detail 1).
3. Two people will now be required to lift the crate over the top of the Entrée Bath.
4. Set aside the Entrée Gen III Starter Kit box and the Combo Case from the pallet. *It is recommended to leave the stretch wrap (plastic) on the Entrée Bath until the tub is in its final location.*



5. Remove the two (2) 10-32 x 3/4" thumbscrews from the Entrée cover panel (Detail 4). Gently remove the cover panel from the tub.

CAUTION: Remove the cover panel before removing the tub from the crate.

6. Locate the Tub Power Cord, center rear back of tub, then plug in the tub and close the door halfway by depressing the Door Close button located on the Foot End Control Panel.
7. Remove four (4) lag bolts from feet.
8. The Entrée Bath can now be lifted off of the pallet.

! The Entrée Bath is VERY HEAVY. Two people (minimum) are required to move the Entrée Bath.

9. Position the cover panel onto the front of the Entrée Bath and line up the screw holes (Detail 4). Place one of the 10-32 x 3/4" thumbscrews into each hole on the cover panel and tighten accordingly.



Door Close Button

Door Open Button

Emergency Door Open Button



Entrée Bath Gen III

INSTALLATION MANUAL

ENTREE TUB CRATE REMOVAL

3. **Transfer and Positioning:** The tub is shipped with the door in the open position. To transfer, plug the tub into an extension cord and rotate the door to a nearly closed position, by pushing on the Door Close button until the door rotates all the way up and it just starts to cam in.

CAUTION: Do not close the door all the way so that the seal is compressed. Leaving the door closed with the seal compressed over a long period of time can damage the seal.

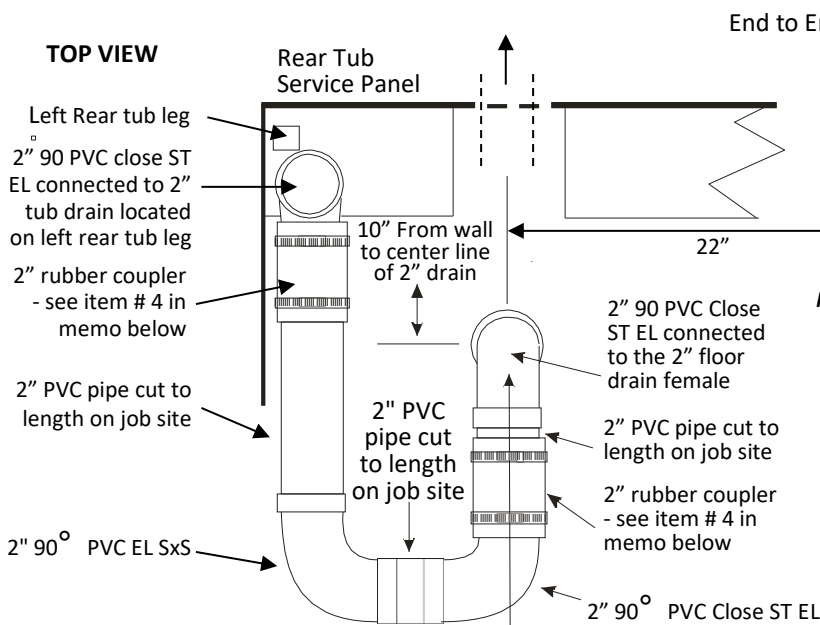
The tub may have to be in an open position to get through some doors. After the tub is on-site, leave the special packing around the tub door on until after the tub is installed and ready for its test operation. Check again to make sure the door is not fully closed and compressing the seal.

4. **Connect the electrical service to the tub.** The tub comes with a cord with a plug, or it can be hard wired with flex watertight conduit by an electrician. *(Verify that the tub is properly grounded if rewired)*
5. **Flush line into a bucket** and verify hot water comes from that hose. After flushing, attach tub hose with red marking.
6. **Make sure the screen is in the hose.**
7. **Connect a flexible hose to the hot water supply valve.**
8. **Flush hose into a bucket** and verify cold water comes from hose. After flushing, attach tub hose with blue marking.
Note: The mixing valve will not perform correctly if those hoses are connected backwards.
9. **Make sure the screen is in the hose.**
10. **Connect a flexible hose to the cold water supply valve.**
11. **Turn on the hot and cold supply valves** slowly and verify there are no leaks.
12. **Place the tub in the final desired location and connect the drain** tubing as shown in the following page.



Entrée Bath Gen III

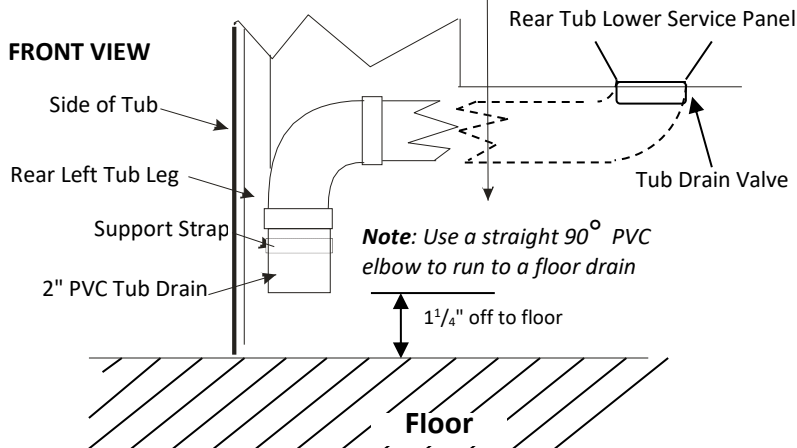
INSTALLATION MANUAL



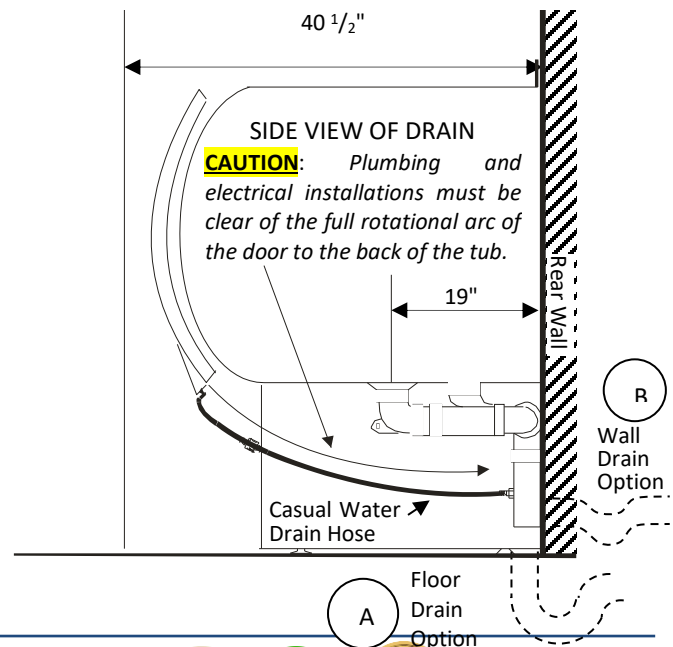
Note: This "U" portion of drain must be installed low profile to keep from interfering with tub door.

MEMO:

1. Parts shown in the top view of this suggested layout are to be supplied by the installing contractor.
2. All drain connecting parts supplied by the contractor must meet National and State Plumbing Codes.
3. If floor sink used, it must be at least three inches in diameter.
4. If rubber coupler does not meet code, use any type of detachable coupler that meets code to allow drain assembly to be uncoupled so tub can be slid out for service.



Note: The "U" section must be installed "low profile" so that it will clear the tub door when in open position. The reason for the "U" configuration is for ease of disconnection in the event the tub needs to be slid out for service.





Entrée Bath Gen III

INSTALLATION MANUAL

13. **Tighten the hose clamps on the rubber couplers.**
14. **Anchor the tub to a concrete section or to a stud floor.**
15. **Proceed to the Operation Manual**
16. **Go through a bath cycle and verify all functions work correctly.**
17. **Make sure that when the fill knob is in the hot position, hot water comes out of the valve.** Check the water temperature and verify it is in the proper range. Rotate the knob to mid range and verify the temperature "tracks the knob" and reduces accordingly.

Note: If the hoses are connected backwards, the mixing valve will not function correctly.

18. **Check the GFCI**, located at the Service End under the Electrical Service Door, and make sure it trips and resets properly.
19. **Make sure the tub is grounded according to code.**



GFCI
Located at the
Service End
under the
Service Door





Entrée Bath Gen III

INSTALLATION MANUAL

20. Make sure the Casual Water Drain (located in the back side of the tub) is properly connected.



Casual Water
Drain
Connection