



# Integrity Bath

Model MB-80

## Installation Manual

(Specifications & Rough-In Included)

Important Safety Instructions  
Read & Follow All Instructions Thoroughly

SN: \_\_\_\_\_

**MasterCare**  
*Patient Equipment, Inc*

**Part# 805015**

# Integrity Bath Model MB-80 Installation Manual



**IMPORTANT SAFETY INSTRUCTIONS READ AND FOLLOW ALL INSTRUCTIONS THOROUGHLY**

**CAUTION:** The caution heading identifies important maintenance and operation information. Failure to obey a caution warning may result in damage to the Entree Bath and may void the warranty

## 1. Plan Bathing System Layout

## 2. Mark Tub Center Line On Wall & Floor

## 3. Install Electrical Service

120V AC, 60 Hz, 20 Amp CLASS A GFCI receptacle flush mounted in wall

**WARNING:** Electrical current can cause severe injury or death if the following precautions are not headed.

**WARNING:** Turn off power source.

**WARNING:** Lock circuit open to prevent accidental activation.

**WARNING:** Electrical service must be located higher than plumbing service.

**WARNING:** Electrical switches and outlets must not be in reach by bathers in the tubs.

**WARNING:** Electrical wiring must comply with all applicable codes. A licensed electrician may be required to install the service.

**WARNING:** Connect the bathing system ONLY to a circuit protected by a CLASS A GFCI.

**WARNING:** Connect only to branch circuit protected by an over current protection device rated not more than 20 amps.

## 4. Install Plumbing Service

It is strongly recommended that a floor drain be installed in the vicinity of the front of the tub 40" either side of the centerline of the tub. (Floor must be level in the area where Transporter enters the tub)

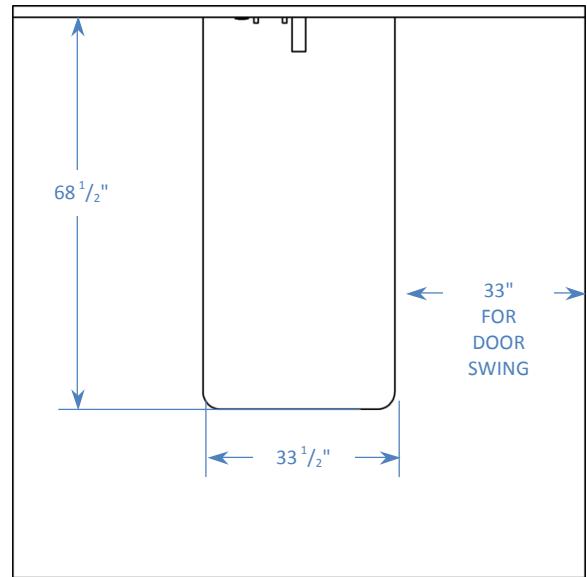
Plumbing service must comply with all applicable building and plumbing codes. A licensed plumber may be required to install this service.

Local plumbing codes may require back flow protection to be installed in both the hot and cold water lines. ("P" Trap should be supplied by customer, not manufacturer)

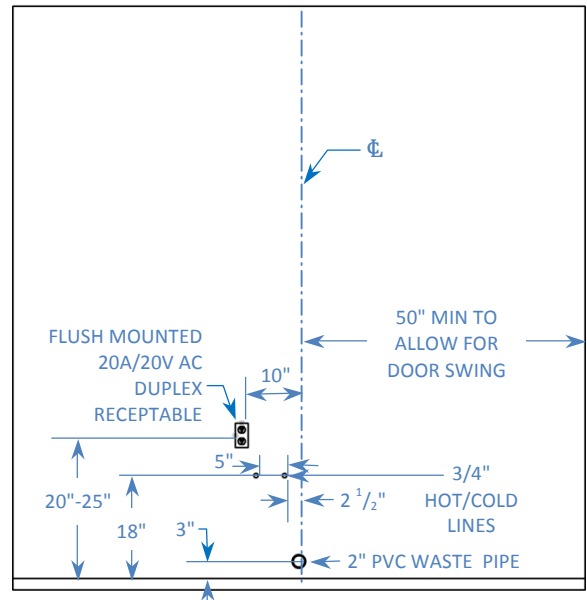
**CAUTION:** The tubs use flexible hoses. It is an industry standard and it is recommended by MasterCare to replace the hoses every 5 years and to inspect the hoses yearly for any obvious signs of damage or wear. If any sign of damage or wear is noticed, replace de hoses.

**CAUTION:** Wall and floor openings for the electrical and plumbing service installation should be closed and sealed to help maintain sanitary conditions.

**MB-80 FOOT PRINT  
TOP VIEW**



**MB-80 FRONT VIEW**



Notes: The height of the PVC waste pipe should be 3". All dimensions are approximately +/- 1/4"

**Drain Connection:** 2" PVC schedule 40 pipes.

**Water Connection:** 3/4" female pipe swivel connections supplied by the manufacturer.

**Water Supply:** 3/4" Copper hot and cold. Minimum 40 PSI for hot and cold required. Maximum temperature of hot water supply: 115 F or local code, whichever is less. Shut off valves at unit supplied by local plumbing contractor.

# Integrity Bath Model MB-80 Installation Manual

## BATHING SYSTEM INSTALLATION

### GENERAL WARNINGS:

#### **WARNING: Risk of electrical shock.**

All equipment comes standard with a 120V – 3 prong electrical plug. Plug the bathing system into a 120V AC, 60 Hz, 20 Amp CLASS A GFCI receptacle. All hard wiring must be performed by a licensed electrician following local codes. The main power supply must be disconnected before hard wiring.

#### **WARNING: Failure to disconnect main power before hard wiring unit can result in Electrical Shock, Death or Damage to Equipment not covered with the warranty.**

An equipment grounding terminal is provided in the field wiring compartment (electrical box on the unit). To reduce the risk of electrical shock, this terminal must be connected to the grounding means provided in the electrical supply panel with a conductor equivalent in size to circuit conductors supplying this equipment.

Install this unit in accordance with the Canadian electrical code, part I, in Canada and in accordance with the U.S. national electrical code in the U.S.A. or local codes whichever applies.

### 1. Check Electrical and Plumbing and Service Rough-Ins

- Bathing system location identified and marked per instructions in rough-ins
- Plumbing installed according to instructions in rough-in manual.
- Wall and floor openings around pipes closed and sealed.

### 2. Clear Waste Water Drain

- Make sure waste water drain is free of debris

### 3. Flush debris from hot and cold water service lines.

- Flush debris from the incoming hot and cold water lines before connecting tub hoses. Run about 10 gallons through each line into a bucket. This will protect the plumbing valves in the bathing system from potential damage by migration of debris into vital components.
- You are now ready to install your MasterCare Integrity Bathing System.

### 4. Position Tub

- Remove side service access panel, remove disinfectant box by removing the 2 bolts at the top of the box then lift and remove boxes. Set to the side of the door opening.
- Slide the back of the tub to the wall, centering to the 2" drain rough-in.

#### **WARNING: Risk of Scalding.**

Hot water can scald people. Temperature control valve must be adjusted before using bath. Do not allow temperature to exceed 109.4 F (43 C)

#### **Other Precautions:**

Tub and cabinet components are heavy and bulky. Do not attempt to lift or move this tub or cabinet alone.

Damp or wet floors can be slippery causing falls and serious injury. Dry the floor before starting to install bathing system.

Standing in tub, or on top edge of tub can damage the tub or lead to falls and serious injury. Do not stand in tub during installation or use. Do not allow residents to stand in the tub.

**CAUTION:** *The tub uses flexible hoses--it is an industry standard and is recommended by MasterCare to replace the hoses every five (5) years and to inspect the hoses yearly for any obvious signs of damage, wear, etc. If any signs of damage or wear are noted replace the hoses.*

- Make sure 2" drain on tub is aligned with 2" drain rough-in. Connect with 2" flexible connector (Fernco coupling). Don't tighten yet.

**PICTURE OR SCHEME OF 2" DRAIN ON TUB + 2" DRAIN ON ROUGH-IN + 2" FLEXIBLE CONNECTOR**

**FIG 1 + PICTURE OF THE ACTUAL ANCHOR BOLT HOLE LOCATION**

### 5. Set Anchors

- Find the two 1/4" holes located in the fiberglass rear floor area of the tub. Mark the hole locations on the floor, disconnect the 2" drain and slide the tub forward about six feet. Drill two 1/2" holes for the 1/4" SS anchor bolt anchors. Clean/blow out the holes that were previously drilled. Slide the tub back, connect the drain and set the anchors accordingly.

### 6. Reposition Tub Against Wall

- Install the anchor bolts loosely.
- Slide the tub back to the wall.
- Connect the drain, but do not tighten.

### 7. Level Tub

- Adjust leg leveling screws to level the tub
- Check to be sure water drains completely.

# Integrity Bath Model MB-80 Installation Manual

DRAWING OR PICTURE OF LEVELING SCREWS AND THEIR LOCATION IN THE TUB.

## 8. Tighten Anchor Bolts

## 9. Make Final Connections

- Connect hot / cold water high pressure hoses from inside if the support cabinets to the hot and cold water supply valves with  $\frac{3}{4}$ " male FTT fittings.
- Connect the 2" tub drain to the 2" drain rough-in and tighten.
- Plug the bathing system into a 120V AC, 60 Hz, 20 Amp CLASS A GFCI receptacle.

## 10. Connect Disinfectant Shower Wand Hose

- Connect  $\frac{1}{2}$ " female end of the disinfectant hose to the  $\frac{1}{2}$ " lower male fitting on the inside top of the disinfectant box.

DRAWING OR PICTURE OF LEVELING SCREWS AND THEIR LOCATION IN THE TUB

## VERIFY SYSTEM OPERATION

## 11. Close and Lock Door

- Rotate and position door inside the tub as far as it will go. With both hands push door down carefully until it latches in the down position. Rotate door cam arm up into full locked position.



## 12. Turn On BathAire

- Turn on BathAire by pushing the "BathAire On/Off" button.

## 13. Turn on Supply Water

- Turn on the hot and cold water supply valves.
- With the shower wand pointed inside the tub, turn the chrome shower spray on/of handle counter clockwise (on) to purge the plumbing system of any trapped air. Turn off after trapped air is purged.

## 14. Check for Connector Leaks

- Check all hose connections for leaks. While holding the shower wand over inside of the tub, turn chrome shower spray handle counter clockwise (on) and check for leaks. Turn shower spray off. While holding disinfectant wand over inside tub, turn chrome disinfectant counter clockwise (on) and check for leaks. Turn disinfectant handle clockwise (off). Tighten any loose connections that are leaking.

## 15. Check Fill Temp Gauge

- Adjust temperature of the incoming water to approximately 102 F (39C) by turning the mixing valve handle to a position that provides a constant readout of desired temperature on the Thermometer located on the right side of the reservoir. Then turn the mixing valve handle to full hot.

## 16. Check BahAire Hydromassage Function

- Air bubbles should flow evenly out of all aerators. Check all functions on the BathAire control panel.

## 17. Drain Tub

- Rotate Drain Open/Close handle to open position. Allow tub to drain completely. Check all drain connections for leaks. Make sure all water drains from tub. If not, tub is not level. Level tub per instructions on page 3.

## 18. Check and Adjust Disinfectant Dispensing System

- With disinfectant wand panted inside the tub, turn chrome disinfectant On/Off handle counter clockwise all the way on.
- The clear tubing line from the 2 liter bottle of concentrated cleaner disinfectant should be full. After a few seconds a soapy disinfectant solution will emit from the wand.

**CAUTION:** The cleaner/Disinfectant system is preset at the factory to dispense 2 oz of concentrated disinfectant per gallon of water.

# Integrity Bath Model MB-80 Installation Manual

---

*Using other brand disinfectant cleaners or system replacement parts could cause this recommended ratio to change and result in an incorrect solution.*

- The flow rate of concentrate can be adjusted by turning the adjustment screw (See the **picture**) on the injector housing counter clockwise for more, clockwise for less.
- The adjustment screw can be accessed through the small plugged hole to the left of the disinfectant On/Off handle.

## 19. Check and Program Bath Oil and Shampoo Dispensing System

- Remove the service access door on the right side of the tub. Connect the 2 liter jugs of the bath oil and shampoo shipped separately in the Starter Kit to the appropriate dispensing hoses. Bath oil left hose and Shampoo right hose. To prime, push the appropriate button for the solution you want to prime.
- Refer to the Operation Manual for the Bath Oil and Shampoo dispensing system to set up and check the system to make sure it operates as intended. Set to dispense ½ oz bath oil and ¼ oz shampoo.

If any problems are encountered during checking and adjusting dispensing systems, check the Maintenance Manual included with your tub or call your local MasterCare representative or MasterCare direct for technical support.

## 20. Clean and Rinse the Bathing System before Using

- Before using this equipment:
  - Remove all rough debris from inside the tub.
  - Clean and rinse the system following the guidelines in the Operation Manual.