



# Integrity Bath

Model MB-80

## Operating Instructions and Training Checklist

Important Safety Instructions  
Read & Follow All Instructions Thoroughly

**MasterCare**  
*Patient Equipment, Inc*



**Operation Instructions**  
**IMPORTANT SAFETY INSTRUCTIONS**  
**READ AND FOLLOW ALL INSTRUCTIONS IN THIS MANUAL**

**WARNING:** RISK OF ACCIDENTAL INJURY OR DROWNING. CHILDREN AND IMPAIRED INDIVIDUALS SHOULD NOT USE HYDROMASSAGE BATHTUB WITHOUT TRAINED ADULT SUPERVISION.

**WARNING:** TO AVOID INJURY, EXERCISE CARE WHEN ENTERING OR EXITING THE HYDROMASSAGE BATHTUB.

**WARNING:** RISK OF ACCIDENTAL INJURY OR DROWNING. DO NOT USE DRUGS OR ALCOHOL BEFORE OR DURING THE USE OF A HYDROMASSAGE BATHTUB TO AVOID UNCONSCIOUSNESS AND POSSIBLE DROWNING.

**WARNING:** RISK OF FETAL INJURY. PREGNANT OR POSSIBLY PREGNANT WOMEN SHOULD CONSULT A PHYSICIAN BEFORE USING A HYDROMASSAGE BATHTUB.

**WARNING:** RISK OF HYPERTHERMIA AND POSSIBLE DROWNING. DO NOT USE A HYDROMASSAGE BATHTUB IMMEDIATELY FOLLOWING STRENUOUS EXERCISE.

**WARNING:** RISK OF ELECTRICAL SHOCK. DO NOT PERMIT ELECTRICAL APPLIANCES (SUCH AS A HAIR DRYER, LAMP, TELEPHONE, RADIO OR TELEVISION) WITHIN 1.5 M (5 FT) OF THE HYDROMASSAGE BATHTUB.

**WARNING:** TEST THE GROUND FAULT CIRCUIT INTERRUPTER PROTECTING THIS APPLIANCE PERIODICALLY IN ACCORDANCE WITH THE MANUFACTURER'S INSTRUCTIONS.

*(For permanently connected units) a green colored terminal (or a wire connector marked "G", "GR" "Ground", or "Grounding") is provided within the terminal compartment. To reduce the risk of electric shock, connect the terminal or connector to the grounding terminal of your electric service or supply panel with a conductor equivalent in size to the circuit conductors supplying this equipment.*

**WARNING:** RISK OF HYPERTHERMIA AND/OR POSSIBLE DROWNING. WATER TEMPERATURE IN EXCESS OF 43 DEGREES CELSIUS OR 109.4 DEGREES FAHRENHEIT MAY BE INJURIOUS TO YOUR HEALTH. CHECK AND ADJUST WATER TEMPERATURE BEFORE USE.

**WARNING:** RISK OF HYPERTHERMIA. PEOPLE USING MEDICATIONS AND/OR HAVING AN ADVERSE MEDICAL HISTORY SHOULD CONSULT A PHYSICIAN BEFORE USING A HYDROMASSAGE BATHTUB.

**SAVE THESE INSTRUCTIONS**

**General:**

Before operating the Integrity Bath System, familiarize yourself with the key features of the tub and carrier components highlighted in the drawings supplied with these instructions.

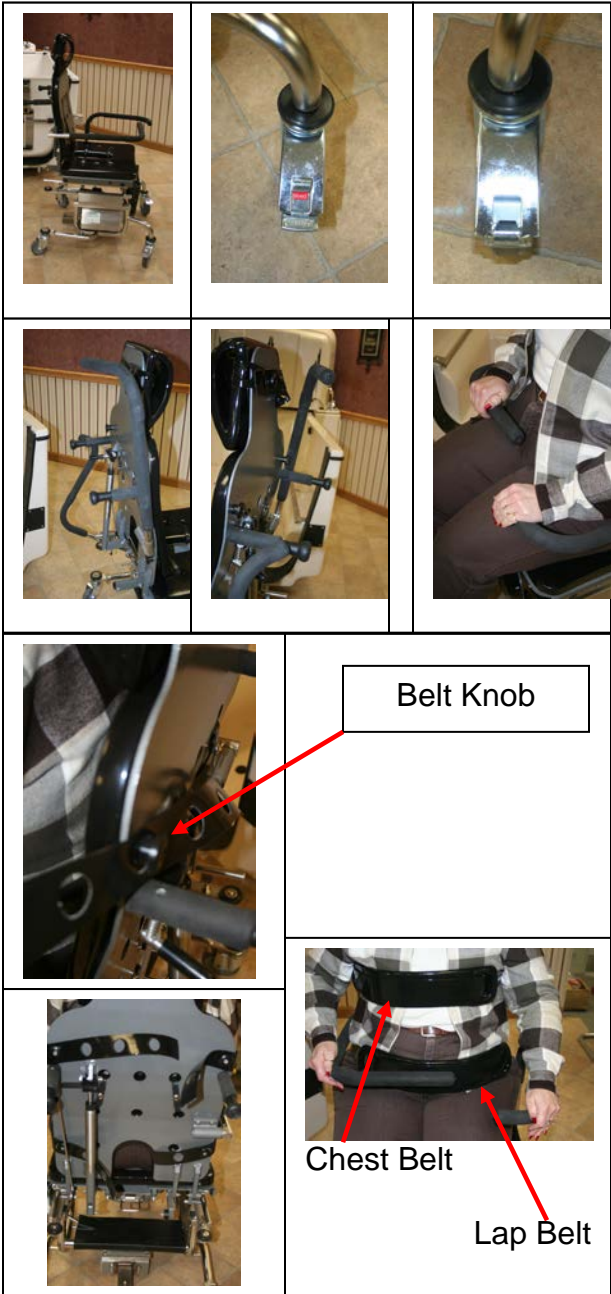
**Place Individual into Carrier Chair:**

Position the Transfer Base and Carrier Chair as appropriate for transfer from bed, chair, etc. **Lock down both locking casters, of the transfer base, by stepping down on the Brake Lock Tabs.** Rotate both chair and carrier armrests (up and back out of the way for the transfer). Make sure the pads are positioned properly, see page 16 &17, before making the transfer. If you have a built-in scale on your Chair Transfer System, push the Zero Button below the scale readout window to zero out the weight of the Carrier Chair. With the Chair in the upright position transfer the individual into the chair using appropriate ergonomic transfer techniques per facility protocol.

**Secure The Individual:**

After the individual is transferred into the chair, secure them with the security belts and pads provided. The Upper Body (Chest) Belt is attached by pushing the hole at one end of the belt over the Belt Knob and pulling the belt under the arm; then across the individual, under the other arm and attach it to the opposite Belt Knob through the appropriate hole so the belt is snug. Repeat for the lap and leg belts. Lift leg rest, to ensure individuals feet are off the floor. As a variation, you can criss-cross the belts across the chest. See page 18. Next, rotate the Seat and Carrier Armrests all the way down over the individual. Place their hands on the padded crossbars of the armrests. Unlock the brakes and transfer the individual into the bath area. Make sure the tub door is rotated fully open.

**See Attached  
Components Drawings  
Page 10-18**



**Warning:** The Chair must be in a Full Upright position during all transfers to and from the Integrity Tub.

### Weigh The Individual:

If you have a scale on your Transfer Chair System, now is the time to take and record the weight of the individual. First rotate the lower carrier arm (right side while facing chair) up and out of the way of the individual. Second, ensure that the leg rest is in the full upright position and that the individual's feet are completely off the floor. Last, make sure the chair is in the upright position, not reclined, if the chair has that option. Failure to do so will cause an inaccurate weight. Then, push the Lbs/Kgs Button below the scale readout window and record the weight of the individual. The recall button is for recalling the weight of the last individual weighed even if they are not in the chair. See page 10 "Important Scale Operational Instructions".

### Engage Carrier To The Tub:

With the chair in the upright position and both armrests down, back the carrier up to the tub so that the Chair Rails are aligned with the Tub Rails. The Caster Guides will assist in the alignment. Roll the carrier carefully back until the Carrier Latch Pin engages the Carrier Latch Pin Receiver and locks into position. You will hear a click when this happens. Pull the carrier forward to make certain it is locked into position. **Lock both locking casters by stepping down on the Brake Lock Tabs.**



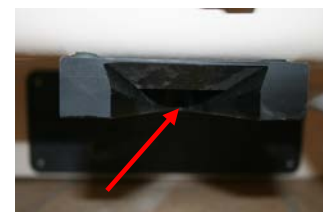
Optional Scale



Chair & Carrier Armrest



Caster guides



Carrier Latch Pin Receiver



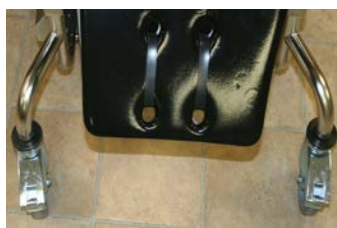
Carrier Latch Pin



Carrier Latch Pin Engaging to the Carrier Latch Pin Receiver



Caster Unlocked

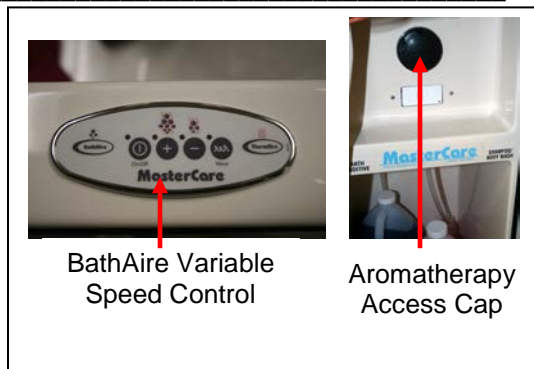


Casters Locked



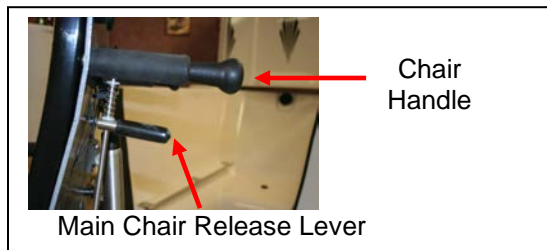
### Turn On The BathAire(SM):

Turn on the BathAire<sup>(SM)</sup> by pushing in on the BathAire<sup>(SM)</sup> On/Off Touch Pad located on the upper right side deck of the tub. This will warm up the environment inside the tub. You can increase or decrease the air flow by pushing down on the plus (+) or minus (-) section of the touch pad. If Aromatherapy is desired place selected scent sachet in the Aromatherapy sachet holder and securely close the cap prior to turning on BathAire. **CAUTION: Do not remove beads from sachet. Never place liquids in the Aromatherapy sachet holder.**



### Transfer into the Tub:

To transfer the individual into the tub, pull up on the Active Chair Release Lever while pushing the chair into the tub using the chair armrest. Once the chair is locked into the first position, move to the side of the bath and pull on the Chair Handle while lifting the Main Chair Release Lever. Pull the chair all the way into the tub, latching into the last rail notch. Carriers with fixed back chairs can remain in this position.



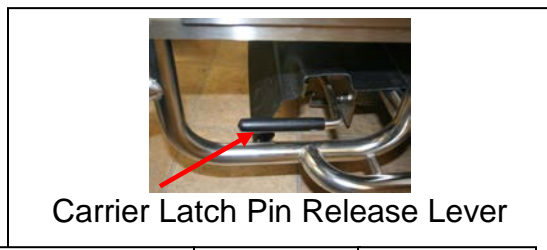
### Disengage Carrier From In Front Of Tub:

Unlock the caster brakes on the carrier and release the Carrier Latch Pin by stepping down on the Carrier Latch Pin Release Lever. Use the Carrier Arm and roll the carrier out of the way so you can close the door.



### Close The Tub Door:

Lower the leg rest by lifting on the Leg Rest Adjustment. Rotate door to closed position. With both hands on the top of the door, align it so that it is parallel with the black seal and seal retainer. Push gently and evenly with both hands until the door is all the way down and locks into position. You will hear a definite click sound when this happens. Rotate the Cam Arm up to lock the door in place.



Rotating Cam Arm

### Chair Rail Notches:

There are four (4) Rail Notches for docking the chair within the tub.

### Remove Commode Attachment:

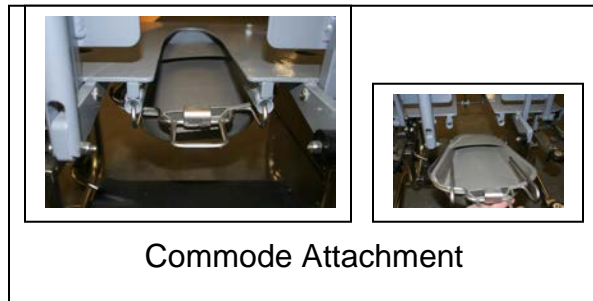
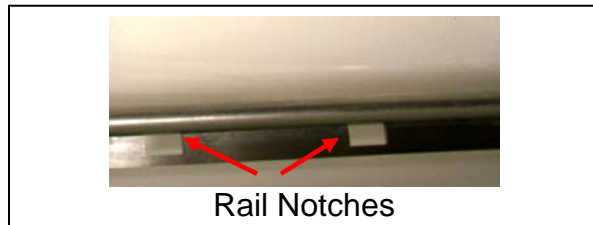
Move the chair forward by using the Main Chair Release (see previous page); allowing the chair to stop at the next rail notch. Remove the Commode Attachment and Holder by grasping the handle and pulling it away from the chair. For Reclinable Back Chairs leave the chair in this rail notch. For Fixed Back Chairs return the chair to the last rail notch. Raise the Leg Rest to a comfortable position for the caregiver and individual that is being bathed.

### For Chair with Reclining Back:

To recline the chair, push down on the Gas Spring Release Lever and push the back of the chair towards the back of the tub.

### Fill The Tub:

First bring the water temperature up to normal bath temperature by placing the shower wand inside the bath, turned toward the side wall, then turn on the Shower Wand Control Valve. Run the water until it reaches the desired temperature; adjust the water temperature between 96° to 105° by turning the Mixing Valve toward the hot or cold side. Turn off the Shower Wand Control Valve and replace the Shower Wand. Close the drain by pushing down on the Drain Open/Close Lever. Slowly turn the Tub Fill Valve open and test the water temperature again with your hand to make sure it is safe and comfortable for the individual. Check the temperature of the water by reading the Temperature Thermometer. Adjust water temperature following the above instructions if needed. Fill to just below the overflow then turn the fill valve off. Dispense Bath Oil into the water by pushing the Bath Oil button on the side of the tub as outlined on page 13.

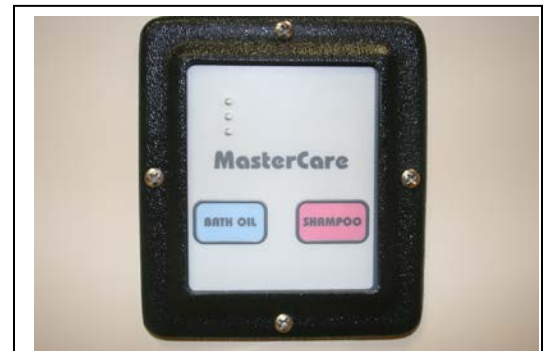


## Fill The Tub Continued:

**WARNING:** The temperature of the bath water must never exceed 110°. If you are unable to adjust to the normal level of 96° to 105°, remove the individual and report the problem to maintenance. Do not use bath until the mixing valve is serviced to correct the problem. Failure to heed this warning could result in a scalding injury to the individual.

## Shampoo & Body Wash:

During the normal bath cycle you can shampoo the individual's hair and wash their body with MasterCare's specially formulated Shampoo and Body Wash. Simply push the touch pad as you are filling the bath to add the Bath Oil directly into the bath water. Hold your hand under the dispensing portal to receive the shampoo/body wash in your hand. Bath or assist the individual with their hygiene needs. To rinse, lift the shower wand from its holder, located on the tub deck, and then direct the nozzle towards the open water in the tub. Turn the shower wand on by turning the Shower Wand Control Valve counter clockwise to full open. Adjust the shower water temperature to the desired individual comfort level using the Mixing Valve control valve. Test the water temperature on your wrist before showering the individual. Turn off Shower Wand Control Valve when complete by turning knob clockwise. Return Shower Wand to its holder. **Caution: Do not only turn off the black switch on shower wand; the valve must be turned off to avoid back pressure build up. If your wand does not have this switch please disregard this caution.**



Liquids Dispensing  
See page 13



Black Switch

## End of Bath Cycle:

At the end of the bath cycle, while leaving the BathAire<sup>(SM)</sup> on, open the drain by pulling up on the Drain Open/Close Lever. Dry as much of the individual as you can before removing them from the tub.



## Open The Door And Engage The Carrier:

Open the door by rotating cam arm down and pulling straight out on the Black Door Latch Release knob. The door will automatically rise up to the level needed to rotate it out of the tub. Rotate the door as far as you can so it is not in the way of the carrier. Roll the carrier up to the tub until the carrier rails align with the tub rails. Push until it is engaged in the Latch Pin Receiver. **Lock both Locking Casters by stepping down on the Brake Lock Tabs.**



Black Door Latch Release

## Move The Individual Out Of The Integrity Bath:

**Warning:** *If using the chair with recline seat back it must be returned to the full upright position before transferring individual out of the Integrity Bath. Failure to do so could result in injury to the individual.* Pull up on the Main Chair Release Lever and roll the individual forward until the chair is fully on to the carrier and automatically latched into place. Before disengaging the carrier from the tub, make sure the chair is securely latched into place by pushing the chair back towards the tub. If properly latched into place, the chair will not allow itself to be pushed off of the carrier rails onto the tub rails. The gravity latch is engaged. Finish drying the individual. Insert commode back underneath the chair seat.



Main Chair Release

## Disengage The Carrier From The Tub:

**Unlock both Locking Casters by releasing the brake lock tabs.** Step down on the Carrier Latch Pin Release Lever to release the latch pin and push the chair away from the tub. Turn off the BathAire<sup>(SM)</sup> by pushing the BathAire<sup>(SM)</sup> On/Off Touch Pad. You are now ready to transfer the individual back to their room or other areas as appropriate.



Carrier Latch Pin Release Lever



## Cleaning Procedures:

Turn on BathAire<sup>(SM)</sup>. Return the carrier with the empty chair to the tub. Engage the carrier with the tub. Disengage the chair and roll it inside the tub, as per previous instructions. Remove the Pads and place in the foot well of the tub (following procedures on pages 16 & 17). Make sure the drain is open, then use the shower wand to rinse all inside surfaces including door area, chair back & seat including pads, to remove residual organic materials left over from the previous bath. Close the drain. Grasp the Disinfectant Wand and hold it so the nozzle is pointed inside the tub. Turn on the Disinfectant Valve counter clockwise until fully on. Spray all inside surfaces of the tub, all surfaces of the chair as well as those of the pads. You will have a little over one gallon of water and disinfectant mix in the foot well of the tub; turn off the Disinfectant Valve by rotating it in a clockwise direction until it is fully off. **Caution: Do not only turn off the black switch on disinfectant wand; the valve must be turned off to avoid back pressure build up. If your wand does not have this switch please disregard this caution.** Scrub all areas with the long handled brush provided with the tub. After all areas are thoroughly scrubbed, follow rinsing procedures below.

## Rinsing Procedures:

Open the drain. Allow contact time as detailed on disinfectant/cleaner. Use the Shower Wand to thoroughly rinse all areas that were in contact with the disinfectant cleaner. Return and lock the chair to the carrier, following the previous transfer docking procedures. Disengage the carrier and attach pads (following procedures on pages 16 & 17), you are ready to pick up your next individual for bathing. If it is the end of the day and you will not be bathing another individual on your shift, lean the pads on the inside vertical surfaces of the tub to drip-dry. Turn off BathAire<sup>(SM)</sup>. **Caution: Do not only turn off the black switch on shower wand; the valve must be turned off to avoid back pressure build up. If your wand does not have this switch please disregard this caution.**



Disinfectant Wand  
Disinfectant Control Valve  
Disinfectant Dispensing  
See page 15



Black Switch



Long Handled Brush



Shower Wand

## **BathAire<sup>(SM)</sup> Purge Cycle:**

BathAire will automatically turn on after the bath has been idle for twenty (20) minutes and run for one (1) minute. This allows the area around the aerators to completely dry.

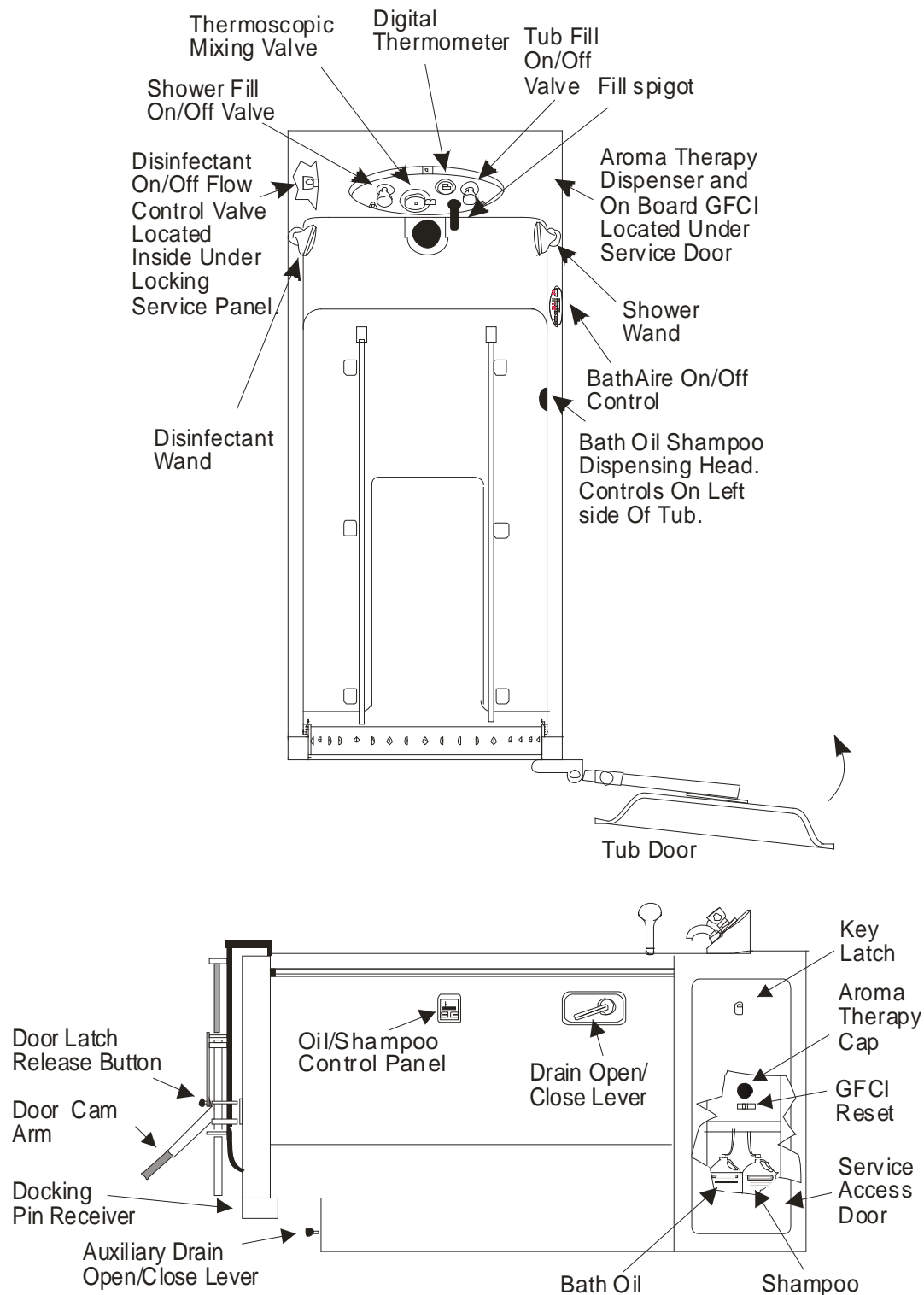
## **Other Considerations:**

When not being used storage areas should be locked; 4 keys are provided with the system.

It is recommended that a two person bathing team be established for each shift with trained backups. Using the team approach, with one member transferring the individuals to and from the bathing area and the other operating the bathing system increases the efficiency of the bathing operations.

It is recommended that the operations wall chart be posted on the wall next to the control end of the tub for quick reference by the operator of the Integrity Bath system.

# Integrity Bath Model MB-80 Key Features and Operating Controls

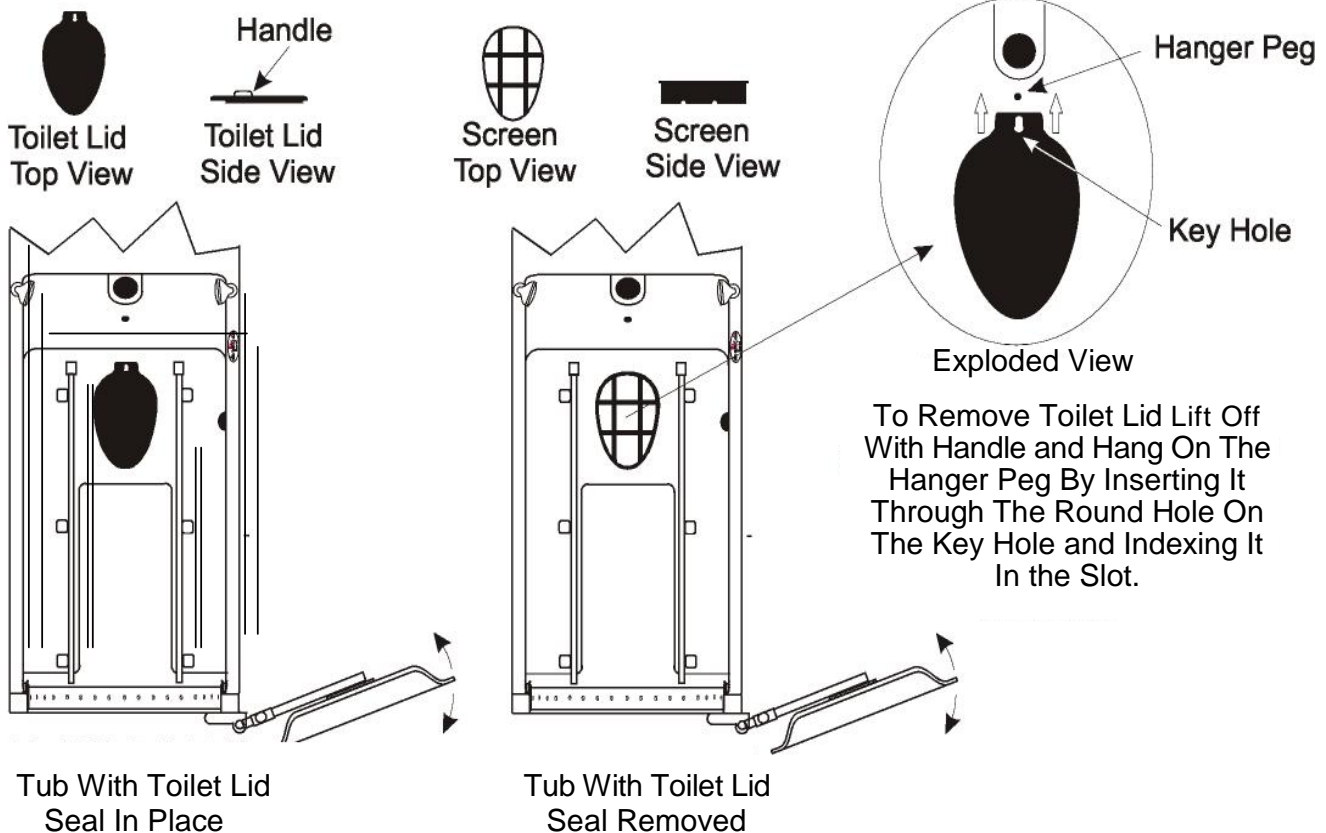


Form # 00072



## Integrity Bath Toileting Option Operational Instructions

Removable Toileting Option Accessory Items Identification:



### Basic Toileting Option Operating Procedures:

Follow all general procedures in the manual and wall charts for the type of Integrity Bathing System you are using up through the docking procedure. Then follow the basic procedures for the Toileting Option listed below as part of the final transfer, positioning, and toileting procedures before the bath:

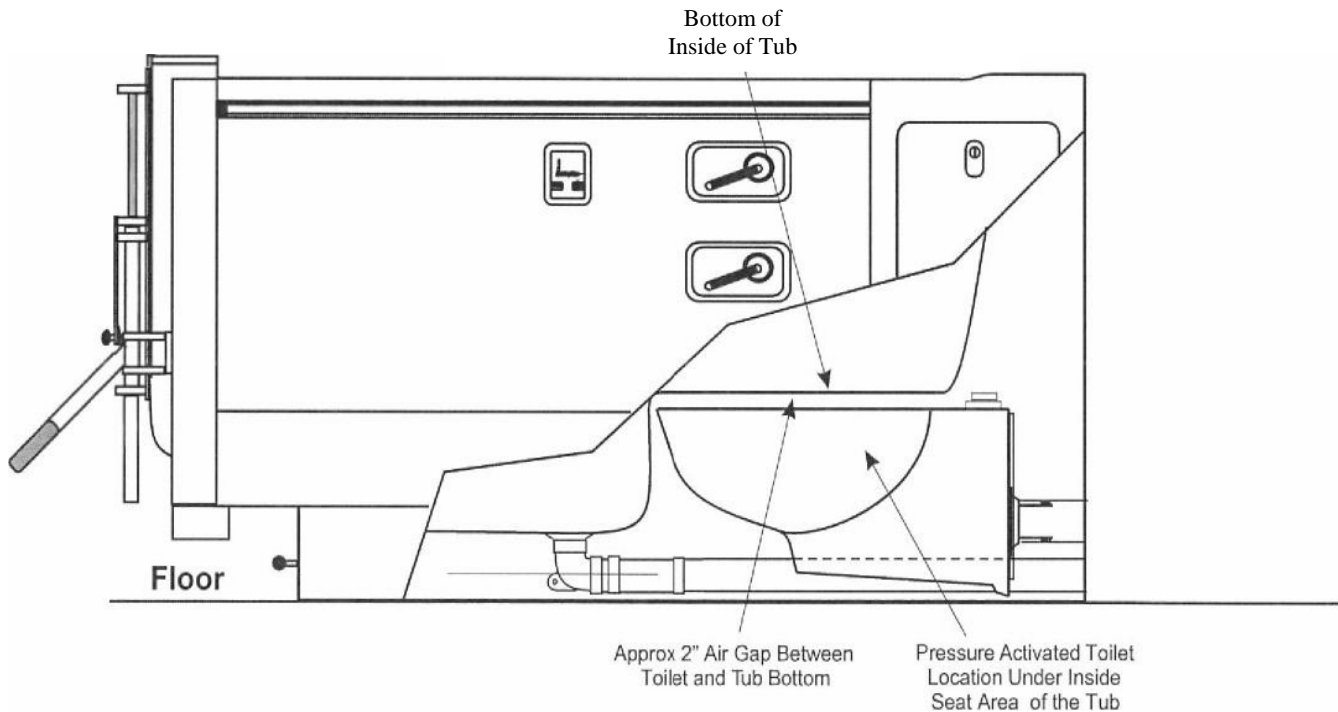
- 1) After docking the transfer system just before you transfer the chair with the resident into tub make sure the toilet lid is removed and inserted on the hanger pin as shown in the exploded view above.
- 2) Unlatch the chair from the Carrier and transfer the resident into the tub latching it into the next to last position inside the tub. Remove the Bed Pan from under the chair. Then unlatch and re-position the chair all the way back latching it into place.
- 3) Following the general instructions, begin filling the tub with proper temperature adjusted water until the water is just above the foot-well then shut off. CAUTION: Do not fill above the rim of the built-in toilet. Wait a short period of time about 30 to 60 seconds (this may vary between residents) to see if the warm water effect (if it hasn't already happened) induces a bowel movement. The warm water effect, to induce a bowel movement, can be enhanced by also showering the resident during this period of time.
- 4) If a bowel movement occurs during the above procedure, clean up any residual matter with the shower wand, then flush the toilet with the Toilet Flush Handle on the right side of the tub just below the Drain Handle.
- 5) Unlatch the chair and latch into the next position up. Un-hook the toilet lid from the hanger peg, position over the open toilet and press firmly into place until sealed. Reposition the chair all the way back and latch into place, Then continue filling the tub to the desired level. Resume the bathing routine according to the general Operating Procedures in the manual.
- 6) After the bath is completed and the tub is being cleaned and sanitized for the next bath, remove the toilet lid, clean and sanitize it and hang it back on the hanger peg for the next bath. Remove the screen, after flushing any residual fecal matter off it with the disinfectant wand, clean and sanitize with the tub brush, let dry and reinsert inside the toilet opening.





Patient Equipment, Inc.  
Marketing Division

Cut-A-Way View of the Integrity Toileting Option  
Showing the Relationship of the Toilet to the Tub



Toileting Cut-A-Way  
12/29/11

## **Infection Control Advantages of the Integrity Bathing System With Toileting Option vs. Other Bathing Systems**

The toilet is completely separate from contact inside the tub with an approximate 2 inch air gap between it and the bottom of the tub (See the attached cut-a-way drawing showing this relationship). Therefore, there is no possibility of contact between the contents of the toilet and the contents inside the tub, eliminating any concerns of cross contamination between the two devices.

After the toileting procedure is completed a special lid that fits into the opening in the bottom of the tub for toileting access totally seals the tub from any contact with the toilet. The toilet is pressure activated to flush same as those in public restrooms and is cleaned and sanitized separately the same as any other toilet. The brand name of the toilet is Crane, one of the more reliable and respected brands in the industry.

By providing the bather with incontinent tendencies, a means to void themselves inside an actual toilet rather than inside the bath tub when the warm water first makes contact causing the event, you eliminate a major infection control problem that occurs frequently during the early bath procedure. In a tub without a built-in toilet you have to transfer the bather out, clean and disinfect the tub, then transfer him back in, a time consuming process at best.

Finally, our aerators used in our hydro massage system have significant infection control advantages over those of other air activated hydro-massage systems. These advantages are outlined in the attached document entitled "MasterCare's BathAire Aerator Valve System Compared to Common off the Shelf Aerators". Any fecal matter that would get inside an off the shelf open aerator due to incontinency inside the tub would be difficult to remove without scrubbing and would cross contaminate the water between baths. Of course conventional whirlpool systems would be even worse with fecal contaminates getting inside the re-circulating pump and jets with no practical means of removal and sanitation.

Solids and liquids resulting from incontinency become part of the internal organic load build-up common to whirlpools or off the shelf open aerator systems which cannot be removed by back-flushing with a disinfectant solution. This organic load can harbor harmful bacteria and is resistant to disinfectant solutions. It can break loose at any time and contaminate the bath water. The only way to control this is by removal with a scrub brush which is difficult if not impossible inside air systems with open aerators or re-circulating whirlpools.

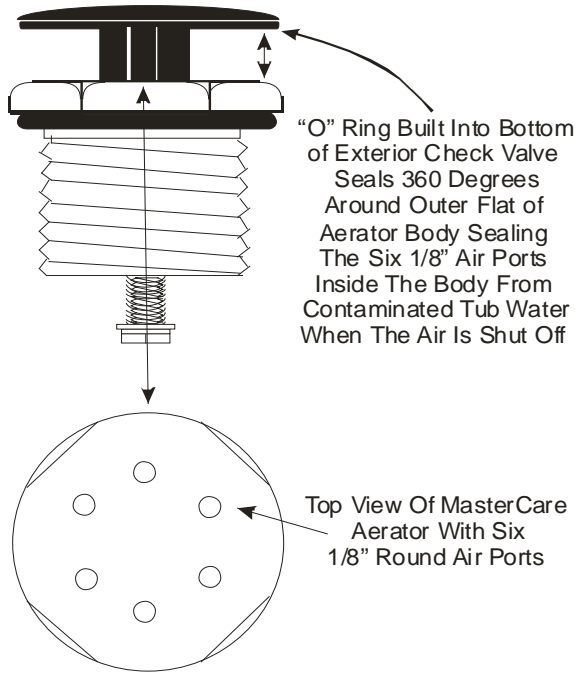
All of the above advantages make MasterCare bathing systems significantly superior to others in terms of preventing cross contamination between baths.

Toileting 001  
12/29/11



## MasterCare's BathAire Aerator Valve System Compared To Common Off The Shelf Aerators

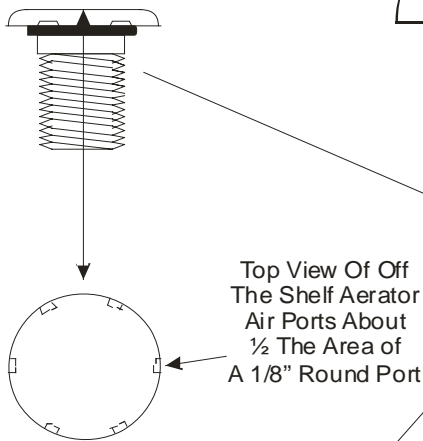
### MasterCare's Custom Design BathAire Aerator Body Approximate Size



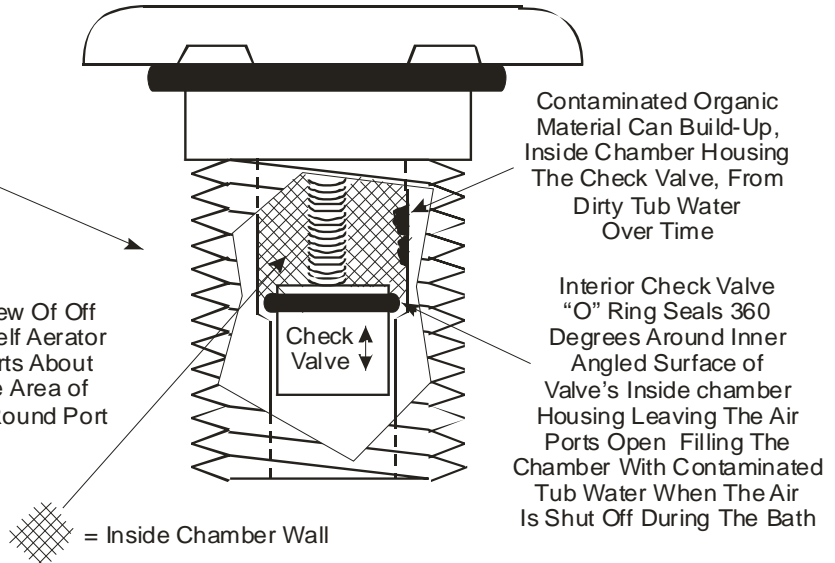
### Four Big Advantages Of MasterCare's Aerators Over Common, "Off The Shelf" Aerators

- 1) The exterior check valve seals the air injection ports when air system shuts off preventing contaminated water from entering the inside chamber of the body. Common, "off the shelf" aerator interior check valves do not seal the air injection ports allowing contaminated bath water inside the housing chamber. See the cut-a-way view below.
- 2) The entire aerator body can be easily removed with a special tool for servicing and cleaning. The common, "off the shelf" aerator body is not designed to be removed, in its entirety, for cleaning and servicing.
- 3) The six 1/8" air ports in each MasterCare aerator reduces the number of aerators needed to create the desired hydro-massage effect. This reduced number of aerators results in less time needed for cleaning & maintenance and less chance for contamination. The common, "Off the shelf" aerator six ports are 1/2 the size in area requiring significantly more of them to achieve the same level of turbulence.
- 4) The MasterCare Aerator has a secondary check valve inside the housing to prevent water from entering air lines in the event the primary check valve fails. The common "off the shelf" aerators have no secondary check valve to prevent contaminated water from entering the air lines in the event of a primary check valve failure.

### Common, "Off The Shelf" Aerator Body Approximate Size

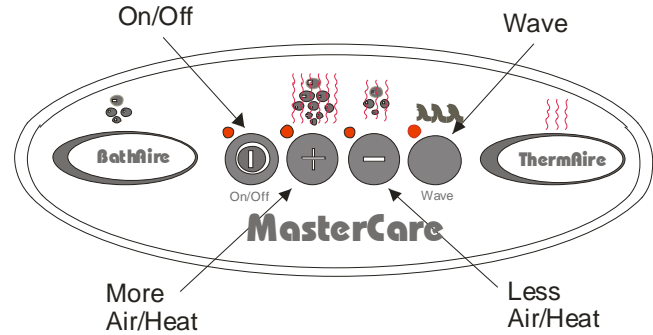


### Blow Up Cut-A-Way View Of A Common "Off The Shelf" Aerator Body Showing The Check Valve In Inside Chamber Housing



Form 00033 C 05/06/11

# BathAire Variable Speed System Control – Basic Operation



## BathAire On/Off Button On/Off

The BathAire can be turned on or off by pressing the blower motor on/off key. Press the button once and the blower will turn on. Press the button once again and the blower will shut off.

## BathAire Air Volume (Water Agitation) Adjustment



Once the BathAire is on, it is in an adjustable mode. The BathAire starts on 60% full speed. To increase or decrease the air volume press the more or less air/heat button and hold down until the desired level is achieved. The heat volume is tied to the air volume and is adjusted the same way.

## BathAire Wave Mode Wave

To create the wave effect: Press once for the long cycle, a second time for the short cycle and a third time to return to normal operation.

## BathAire Purge Cycle

The purge cycle comes on automatically 20 minutes after the blower system has been turned off. It will then run for a period of one minute.

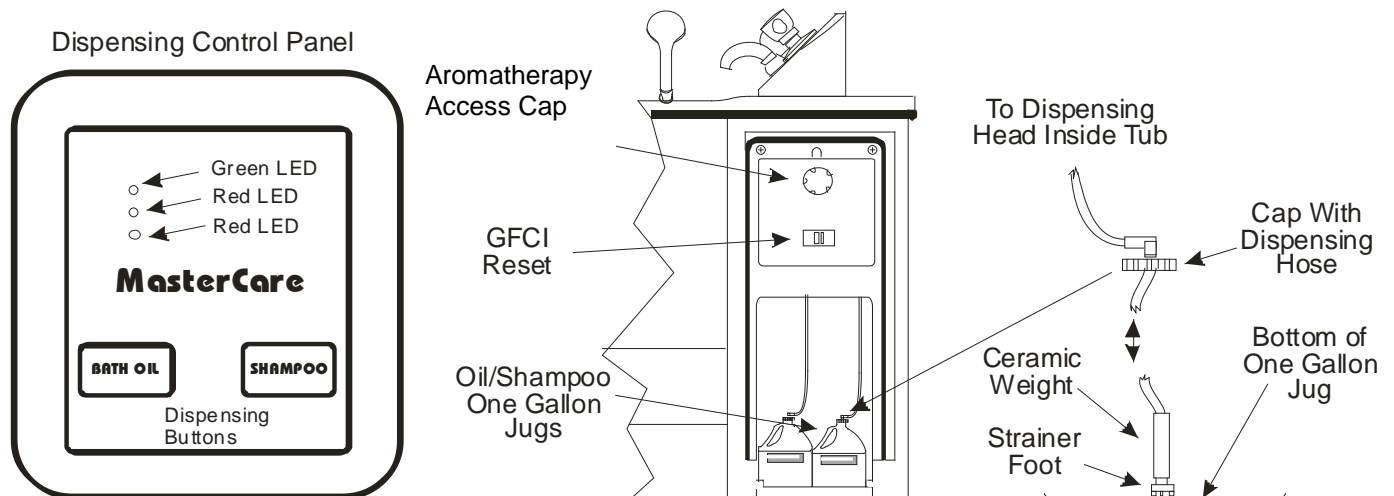
## BathAire Internal Timer

The BathAire system has an internal timer that shuts the blower off automatically after it has run for twenty minutes.

MB80OP06 Rev # 0002



# Bath Oil/Shampoo Dispensing System and Aromatherapy Operating Instructions



## Aromatherapy:

1) Before activating the BathAire remove the Aromatherapy Access Cap and insert the sachet with the selected scent you want to use for the bath. **“DO NOT OPEN THE SACHET”, DO NOT place loose beads or liquids in the sachet holder.** Securely close the cap prior to turning on BathAire **CAUTION: Running the BathAire without the sachet cap securely in place will cause the system to lose too much air and the aerators (hydromassage action) will not function properly. If the sachet will not easily fit into the sachet holder, slowly slide the zip tie up the sachet making the sachet more elongated. DO NOT REMOVE THE ZIP TIE.**

## Bath Oil/Shampoo Dispensing Operation:

1) Press Bath Oil or Shampoo button briefly to initiate pump cycle. If using Bath Oil, allow it to dispense directly into the bath water. If using Shampoo, hold hand under the dispensing head inside tub wall. If more solution is required, press button a second time. The amount of bath oil and shampoo dispensed is preset for economic portions at the factory. If you need more solution, press the button a second time.

2) If no solution is dispensed from the dispensing head, open the service door to access the solutions storage. Check the fluid level in the one liter bottle. If below the intake hose, replace with MasterCare's Bath Oil or Shampoo per priming instructions below.

**Note:** 1) If you press Bath Oil or Shampoo button for more than five seconds, it will initiate a pump prime cycle.

2) The normal pump cycle can finish and turn off before the five seconds occurs, but it will still enter Prime and turn back on.

3) Holding a Button for a longer time will not cause any problems other than initiating Prime.

4) Pressing any button while a pump is running will shut off the pump. This is predominately a safety feature for the Prime operation.

5) Pressing multiple buttons at the same time will turn off any pumps and be otherwise ignored.

6) A Red LED associated with the pump operation will turn on when the pump operation is activated. The middle Red LED is for Bath Oil. The bottom Red LED is for Shampoo.

7) See the maintenance instructions for the purpose and function of the Green LED.

## Replacing One Liter Jugs & Priming Operation:

1) Remove the empty one liter container of solutions and replace with MasterCare's Bath Oil or Shampoo.

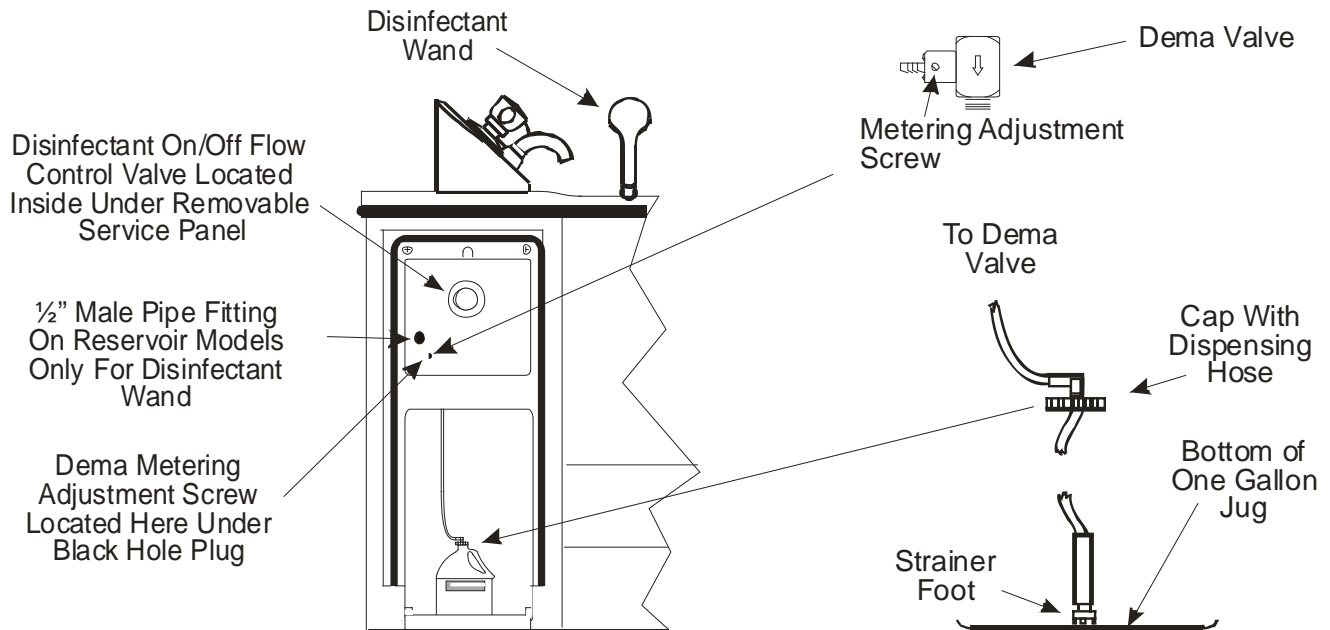
2) Remove the cap and seal under the cap on the one liter jug of cleaner disinfectant.

3) Insert the foot strainer attached to the cap with dispensing hose into the one liter jug so that the strainer foot is on the bottom of the jug. If replacing an empty one liter container check the strainer at the bottom of the foot stainer. Remove any accumulated debris that can clog it up.

4) To prime, push appropriate button for the solution you are priming for seven seconds.

**Caution:** Other brand bath oils and shampoos may be used with the MasterCare System although re-calibration may be required. However, some products may not be compatible with the system and may damage components in the system, thereby voiding the warranty. MasterCare offers an extended warranty with your use of MasterCare bathing and cleaning/disinfection products. Please contact MasterCare customer service @ 800-798-5867 before using non-MasterCare products in your system. Form 00025D

## Disinfectant Dispensing System Operating Instructions



### Operating Instructions:

How to Connect the Dispensing System to the MasterCare Cleaner/Disinfectant Jug:

- 1) Remove the cap and seal under the cap on the one liter jug of cleaner disinfectant.
- 2) Insert the foot strainer attached to the cap with dispensing hose into the one liter jug so that the strainer foot is on the bottom of the jug. If replacing an empty one liter container check the strainer at the bottom of the foot strainer. Remove any accumulated debris that can clog it up.
- 3) If first time connection on new install follow "How To Operate" instructions below to prime the system. As soon as solution starts to flow from the disinfect wand turn off the flow control knob.

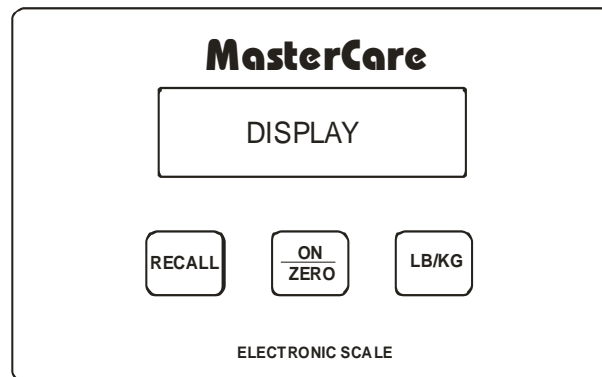
### How to Operate the Dispensing System:

- 1) Grasp the red handled disinfectant wand and pull up out of the holder. Point the nozzle inside the tub. To activate: turn the disinfectant control valve counter clockwise until fully on.
- 2) Follow the Operational Instructions provided with the tub to clean and disinfect it.
- 3) To deactivate: turn off the disinfectant control valve by rotating it clockwise until fully shut off.

**Warning:** Heed all label warnings on the cleaner disinfectant you are using in this dispensing system.

Form # 00074 D

## Important Scale Operational Instructions



### Scale Control Pad Operations:

- 1) **On/Zero Button:** Press before seating person to be weighed to turn scale on and zero out weight of previous person. Important: Immediately after pressing the **On/Zero Button** you will see a sequence of three sets of numbers. The first two sets are service information and the last set is the battery life indicator. If this last set of numbers reads below 5.2 call maintenance to replace the batteries.
- 2) **Lb/Kg Button:** Press this button to switch from lbs. to kgs. as needed before seating the next person to be weighed.
- 3) **Recall Button:** Press this button if you need to know the weight of the last person weighed after they have left the chair and the scale has not been turned on and zeroed out for the next person to be weighed.

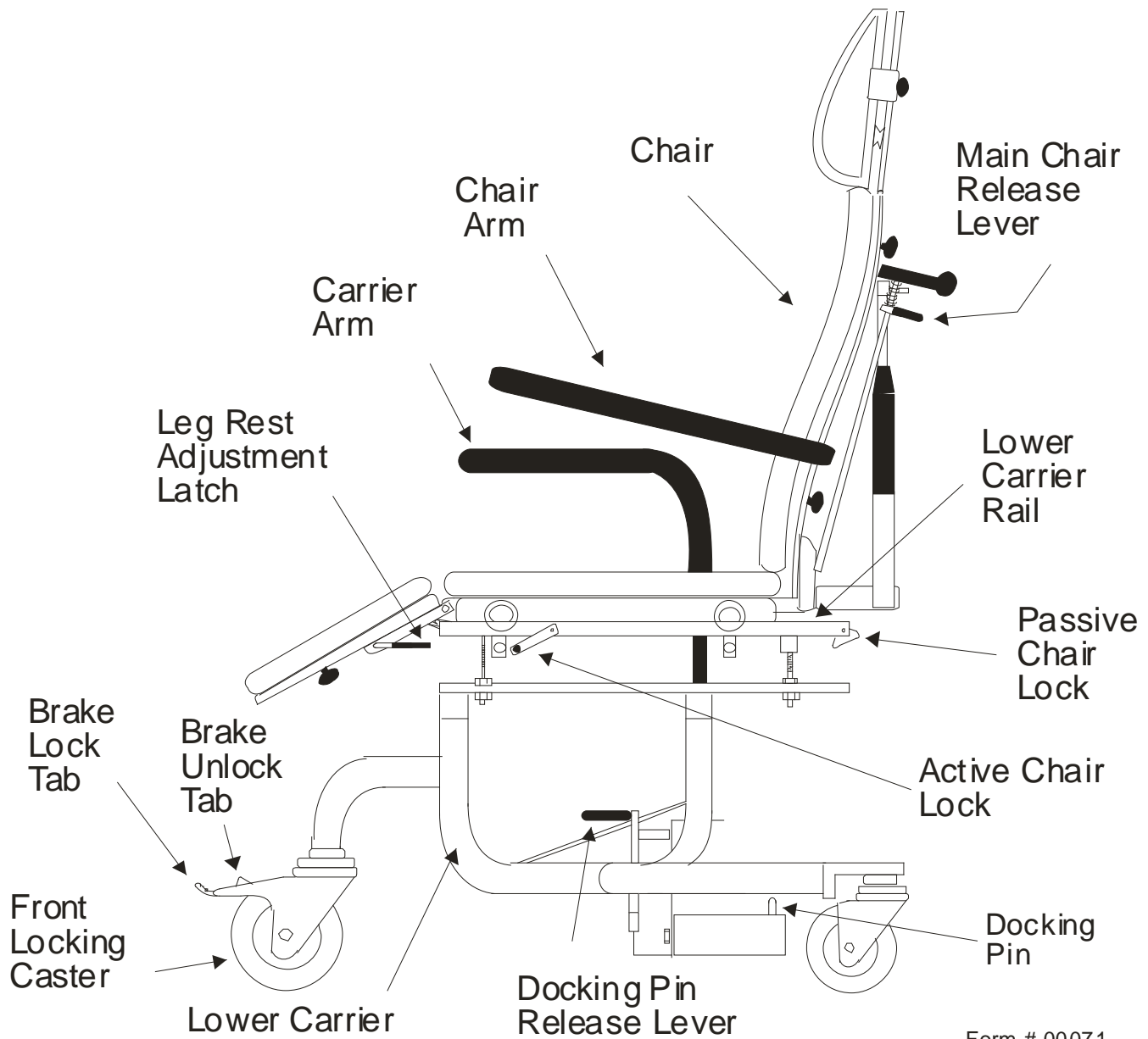
**CAUTION:** Do not push Lb/Kg & On /Zero Buttons at the same time. Push all buttons with finger only. No pens or sharp objects.

### Seven Key Steps To Get Accurate and Consistent Weights:

- 1) The **lower carrier** and **chair** must not be touching the **tub** or anything else. The **front casters** must be in the locked position. **All four casters** must be on a consistent level floor surface.
- 2) Before you transfer the resident onto the **chair** push the **zero button** below the **scale display** window to zero out the weight of the **chair**.
- 3) The **chair** must be all the way forward on the **lower carrier** and locked into position.
- 4) The **lower carrier arm** must be rotated all the way up and out of the way in a position so that it is not touching the resident or the **chair** back.
- 5) Transfer the resident onto the **chair** and position them in an upright stable position. If the resident is not upright, unstable or moving around wait until they settle down or secure them with the **security belt** per procedures in this manual.
- 6) Make sure the **leg rest** is be rotated all the way up so that the resident's feet are off of the floor.
- 7) The resident's weight will appear in the **display** automatically. Make sure no one is touching or leaning on the **chair** including your self during the weighing procedure.

**If you accomplish the above seven steps every time you weigh someone you will help assure getting an accurate weight.**

# Integrity Bath Chair Transfer System Key Features and Operating Controls



Form # 00071



# Integrity Chair Strap To Pad Attachment Procedure

**1 Pad Snap Straps Nomenclature**

Top View

Male Snap Protrusion Female Snap Head

Male Snap Back Side Female Snap Receptacle

Side View

Male Snap Protrusion Female Snap Head

Long Pad Strap With Snaps  
Part # 800840 Fits All Pads

**2 Suggested Pad Attachment With Pad Snap Straps**

Female Snap Head

Top View Of Pad

Thread Pad Straps Through Holes In Substrate (See Step # 3) of Chair and Pad as Shown Above. Snap Female Snap onto Male Snap. When Done Snap Straps Should Appear as Shown Above

**3 Side View of Strap After It Is Initially Engaged and Snapped**

Chair Substrate Chair Pad

Rotate Strap In Clockwise Direction Until Snap Side Is On Backside of Chair As shown in Step # 4

**4 Strap Properly Configured**

Continue Attaching The Rest Of Chair Pads With the Snap Straps in the Same Manner Following The Guidelines In The "Recommended Pad Attachment, Removal & Maintenance Instructions" In The Operations Manual.

**5 To Remove Snap Straps**

Grasp Straps Firmly Between Thumb and Forefinger, Using Both Hands. Rotate Strap in Counter Clockwise Position Until Snap Side is on the Pad Side as shown In Step # 6.

**6 To Remove Snap Straps**

Grasp Outside End of Strap Between Thumb and Forefinger. Keeping The Straps in a Parallel Mode Pull Out and Away From The Pad in an Arcing Motion (See Arrow) Towards the Connected Snaps

## Integrity Transfer Chair Pad and Belting Instructions

**Directions:** 1) For Seat, Back & Leg Rest Pads attach with pad straps as shown. Make sure snaps are on the back side of the pad and fully snapped together as shown. The straps are pre-adjusted.

To facilitate connecting the snaps on all pads, snap together on the top side, then rotate the strap until snap is on the back side of the pad.

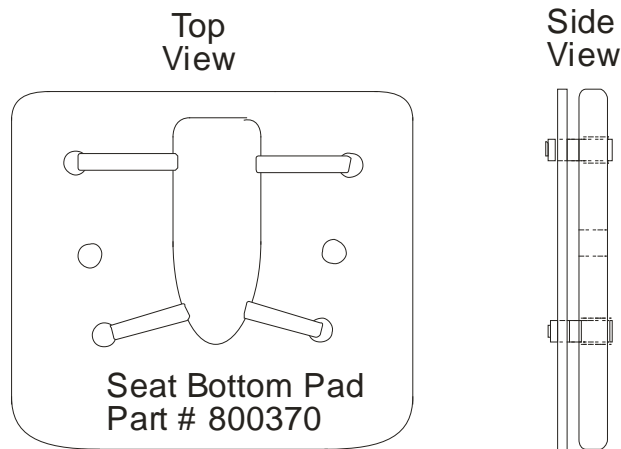
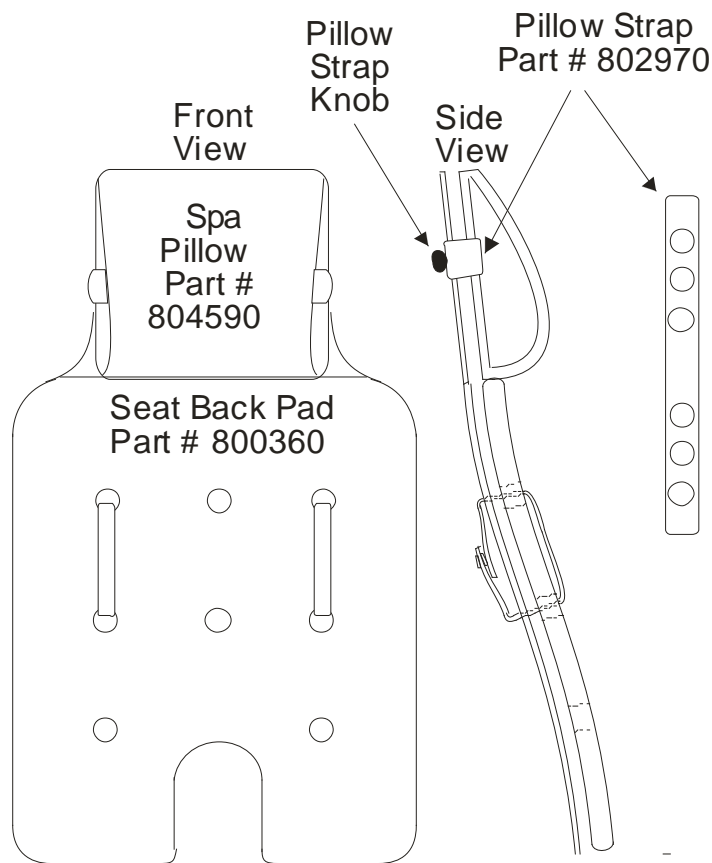
To disengage straps grab end of the strap and pull apart. Pull strap out through one of the attachment holes.

2) For the Headrest Pad attach by looping the holes in the pillow strap over the pillow strap knob. Adjust so pad is secure. To disengage pull strap off of strap knob.

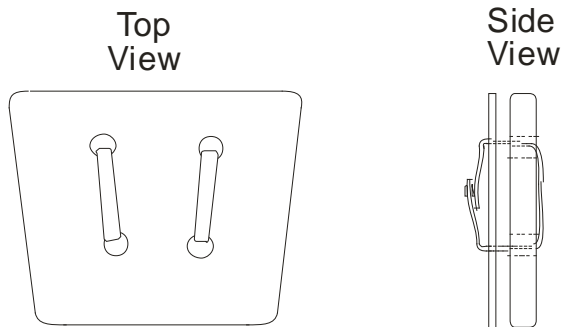
Sanitize all belts and pads between baths as instructed in operational procedures.

**CAUTION:** Do not use Clorox type bleaches to clean and/or disinfect the pads and straps. Also some shampoos, bath oils/additives and Betadines have substances in them that can stain some surfaces. Use of such products can damage and/or stain the pads and straps over time.

**Maintenance Tip:** Treat pads & straps weekly with "Armor All" vinyl protecterant according to the label directions. This will prolong their life, make them easier to maintain, help prevent them from staining or sticking to the surface of the chair.

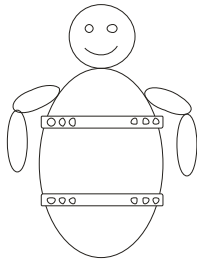


Long Pad Strap  
With Snaps  
Part # 800840  
Fits All Pads

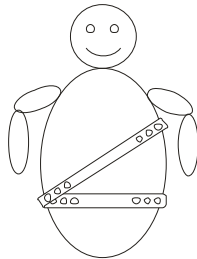


**CAUTION:** REMOVE THE PADS DAILY; otherwise damage to the powder coating may occur. Damage may void the warranty.

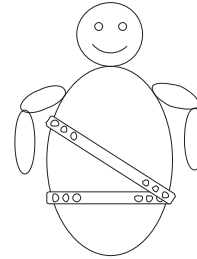
# Integrity Bath Chair Transfer System Security Belt Instructions



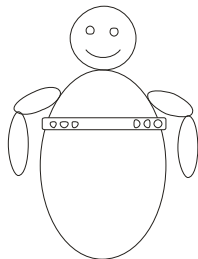
Chest - Lap



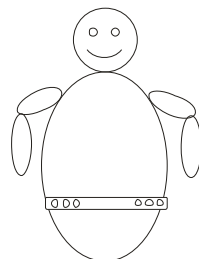
Left Crossover  
With Lap



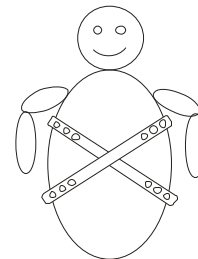
Right Crossover  
With Lap



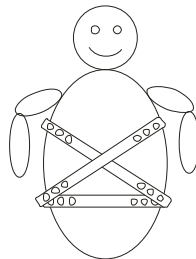
Chest Only



Lap Only



Double Crossover



Double Crossover  
With Lap  
Requires Ordering An Additional Belt

Form# 00038 D

Memo: Belts shown without belt pads for visual purposes. System comes standard with two belts and belt pads. You need to order another belt PT # 11820 and belt pad PT # 12100 for the "Double Crossover With Lap" configuration. Not shown on this drawing is the option to secure the legs to the leg rest with the special leg belt PT# 802970 shipped standard with the system.



Operator Training Check List

**MB-80 Integrity Bath**

**After reviewing the full Operations Manual I can operate the Integrity Bath by the following these steps and can identify the Integrity controls:**

<b>Controls/Operations</b>	<b>Yes</b>	<b>No</b>
1) Place individual into carrier chair	_____	_____
2) Secure individual	_____	_____
3) Weigh individual (if applicable)	_____	_____
4) Engage carrier to the tub	_____	_____
5) Turn on BathAire Control	_____	_____
6) Transfer into the tub	_____	_____
7) Disengage carrier from in front of tub	_____	_____
8) Close tub door and rotate cam arm up	_____	_____
9) Adjust carrier to desired rail notch	_____	_____
10) Remove commode attachment	_____	_____
11) Recline back to desired position (if applicable)	_____	_____
12) Close drain with drain open/close lever	_____	_____
13) Adjust mixing valve to desired temperature	_____	_____
14) Fill tub with tub fill valve	_____	_____
15) Use liquids dispensing as desired	_____	_____
16) Use shower wand with shower wand control valve as desired	_____	_____
17) End of bath open drain with drain open/close lever	_____	_____
18) After water is drained open the door by rotating cam arm down and pulling straight out on the black door latch release knob	_____	_____
19) Engage carrier to the tub	_____	_____
20) Move individual out of bath	_____	_____
21) Insert commode attachment	_____	_____
22) Disengage carrier from the tub	_____	_____
23) Return individual to room or desired location	_____	_____
24) Return carrier to tub for cleaning	_____	_____
25) Remove pads from carrier and place in foot well	_____	_____
26) Turn on disinfectant wand with disinfectant control valve	_____	_____
27) Rinse disinfectant from the tub and chair	_____	_____
 <b>Locate and identify</b>		
28) LCD Thermometer	_____	_____
29) GFCI re-set	_____	_____
30) Aromatherapy Sachet Holder	_____	_____
31) Wall Chart	_____	_____

**Training Date:** \_\_\_\_\_

**Staff:** \_\_\_\_\_

**Supervisor:** \_\_\_\_\_

Please feel free to make copies of this document for each staff member that will be operating the Integrity bathing system.

