



Integrity Bath

Model MB-80

Installation Manual

(Specifications & Rough-In Included)

Important Safety Instructions
Read & Follow All Instructions Thoroughly

MasterCare
Patient Equipment, Inc



Note: Integrity Bath must be purchased or specified with the Integrity Transfer Chair. For more information please contact MasterCare.

MasterCare Patient Equipment Integrity Bath

*Standard Tub Models MB-80
Console Tub Models MB-80-R*

Dimensions:	Width:	Standard	(MB-80)	34 ½"
Bath:	Width:	Console	(MB-80-R)	52 ½"
	Length:	Standard	(MB-80)	70"
	Length:	Tub/Console	(MB-80-R)	79"
	Tub Rim Height:		(All Models)	36 ½"
	Console Height:	Console	(MB-80-R)	68"

Specifications:

Back Flow Prevention: 1" Air gap for tub fill, vacuum breakers for MB-80-R shower hoses. Watts N-9 double checks for MB-80 shower hoses. Note: The factory provided backflow prevention is the most widely accepted. Local codes may require changes, which is the responsibility of the local plumbing contractor.

BathAire^(SM) Outlets: 5 with 6 ports each for a total 30 warm air massage outlets.

Door Seal: Seal certified by Warnock Hersey to the ASME A112.19.15-2005 and ASTM D 2000 standards to insure long lasting durability for bathtubs with pressure sealed doors. Highly resistant to oils, detergents and all water conditions.

Electrical: UL/CSA approved 120V AC, 60 Hz, 15 Amp dead front GFCI (ground fault circuit interrupter)

Installation Time: 1 ½ hours **Inspection and Adjustments:** ½ hour

Liquids Storage: Located behind lockable service access doors.

Motor Specs: BathAire^(SM) Motor: 120 V., 11 Amps, 1.3 H.P. Variable speed with built-in 600 watt heating element for maximum comfort and control.

Patent: US 6,766,543 B1.

Room Size: Standard Model 6' wide x 9'4" long; Console model 6' wide x 10' long. Can fit in smaller room; call **MasterCare** with dimensions.

Service Access: Controlled access through lockable service doors.

Electrical Standards: **CAN/CSA** C22.2 No. 218.2-93 (R2004) Hydromassage Bathtub Appliances.

UL 1795 Hydromassage Bathtubs, Third Edition, Including revisions through to Sept. 22, 2006.

Plumbing Standards: **Warnock Hersey**, CSA B45.5 (2008); ASME A112.19.15 (2005); CSA B45S1 (2004); ANSI Z124.1.2 (2005).

State Standards: IL Dept. of Public Health, Product approval letter dated 10/28/04.

Commonwealth of **Massachusetts**, Approval Code P3-1108-235

Michigan State Code Commission, Certificate of Acceptability No. 1554 PA.

Wisconsin Administrative Code, In Compliance with chapters Comm. 82 through 84, Wis. Adm. Code, and Chapters 145-160, Wisconsin Statutes. Product File #20060062 & 20010143.

Establishment Registration: 30033336913

Switches: Membrane

Thermometer: Analog or digital temperature measurements.

Tub Entry: Door counter-balanced with simple guidance system for ease of operation.

Tub Fill/Shower: On-board high volume mixing valve tested to ASSE-1016-2005 and control volume shower wand with back flow prevention tested to ASME A112.18.3.

Tub Shell: Sanitary gel-coated FRP (Fiberglass Reinforced Polymer).

Tub Water Use: 55 gallons under normal conditions.

Waste: 2" PVC schedule 40 pipe.

Water Connection: ¾" hose swivel connections supplied by manufacturer

Water Supply: ¾" Copper hot and cold. Minimum of 30 PSI for hot and cold required. Maximum temperature of hot water supply 115° F or code, whichever is less. Shut off valves at unit supplied by local plumbing contractor. MB-80 (420 lbs), MB-80-R (Tub 385 lbs, Console 240 lbs), MT-80 Transfer system (150 lbs).

Weight: MB-80 (420 lbs), MB-80-R (Tub 385 lbs, Console 240 lbs), MT-80 Transfer system (150 lbs).

Useful Life: Approximately 10 years--determined by use and conditions

Warning: 1) Risk of electrical shock; Disconnect electric power source before installation and subsequent servicing. 2) An equipment grounding terminal is provided in the field wiring compartment. To reduce the risk of electrical shock, this terminal must be connected to the grounding means provided in the electric supply panel with a conductor equivalent in size to the circuit conductors supplying this equipment. 3) Install this unit in accordance with the U.S. National Electrical Code in the U.S.A and the Canadian Electrical Code, Part I in Canada.

□1. Plan Bathing System Layout

FIG. # 1 Right Hinged Door

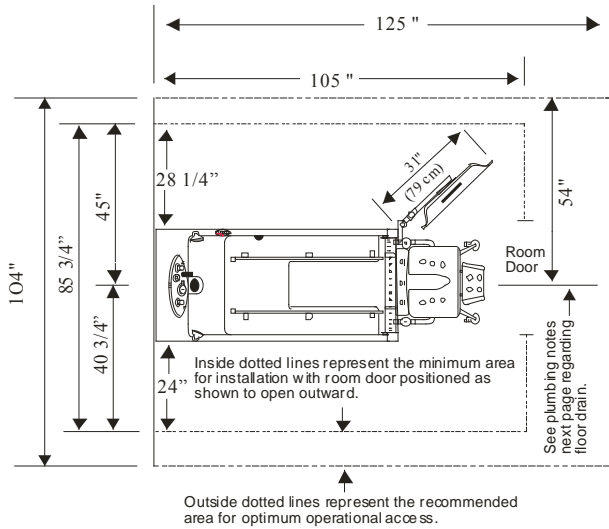
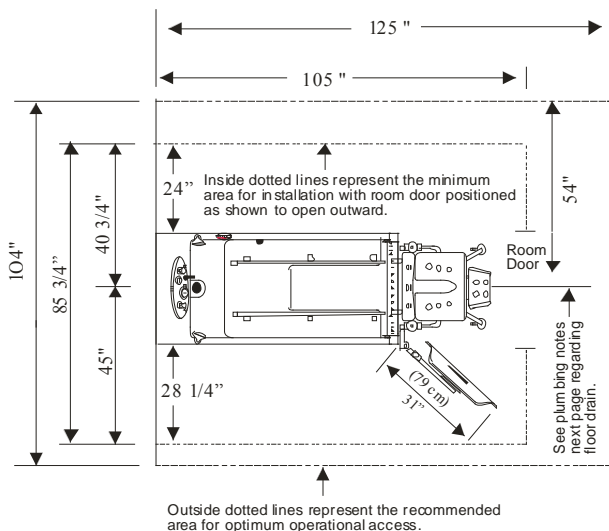
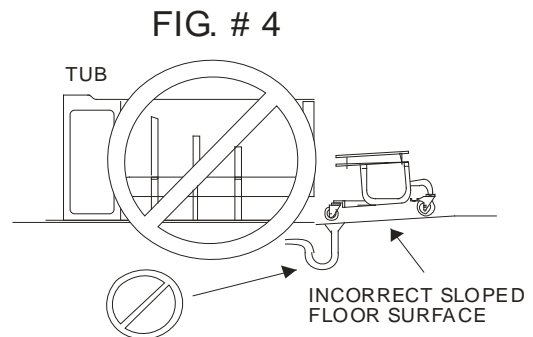
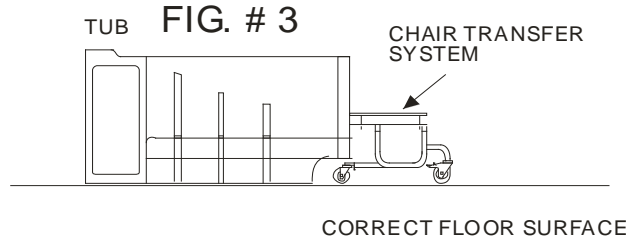


FIG. # 2 Left Hinged Door



Floor Surface: Correct & Incorrect



INCORRECT FLOOR DRAIN LOCATION IN FRONT OF TUB. SEE PLUMBING NOTES NEXT PAGE FOR CORRECT LOCATION.

Warning/Guide:

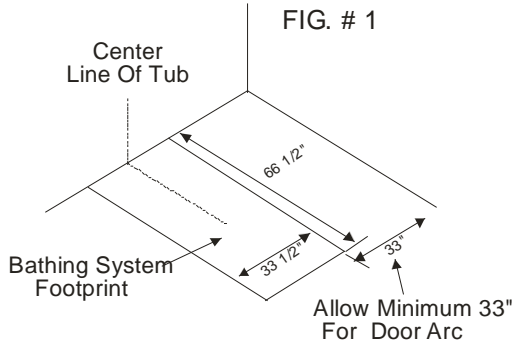
- Choose flattest floor location.
- Make sure sufficient room is provided to allow unobstructed area for transfer in and out of the tub with the transfer system.
- Room dimensions, door sizes and floor drain placement, must comply with all applicable building and health codes.

Caution:

- Figure #1 and #2 tub placement is critical for access to disinfectant and oil/shampoo dispensing service access panels on both sides.
- Space around system is needed to allow access to resident, disinfectant & dispensing systems and maintenance service access doors on both sides.

NOTE: Item 4-Install Plumbing Service
 The height of the PVC waste pipe should be 3"
 All dimensions are approximate +/- 1/4"

□2. Mark Tub Center Line On Wall & Floor



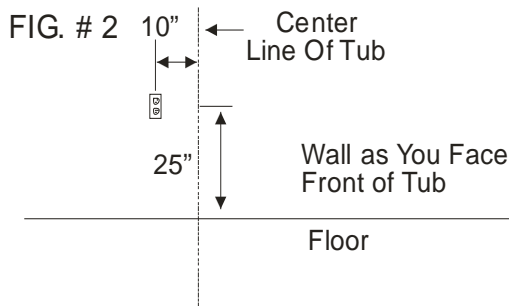
Electrical Service Notes

- WARNING:** Electrical current can cause severe injury or death if the following precautions are not heeded.
- WARNING:** Turn off power source.
- WARNING:** Lock circuit open to prevent accidental activation.
- WARNING:** Electrical service must be located higher than plumbing service.
- WARNING:** Electrical switches and outlets must not be in reach of bathers in the tub.
- WARNING:** Electrical wiring must comply with all applicable codes. A licensed electrician may be required to install the service.
- WARNING:** Connect the bathing system ONLY to a circuit protected by a CLASS A GFCI.
- WARNING:** Connect only to a branch circuit protected by an over current protection device rated not more than 15 amps.

□3. Install Electrical Service

120V AC, 60 Hz, 15 Amp CLASS A GFCI receptacle flush mounted in wall

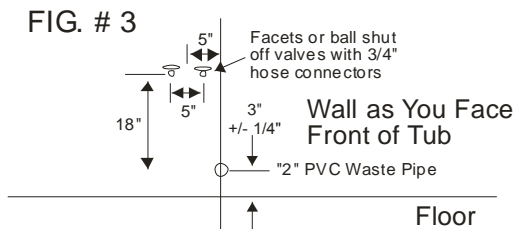
WARNING: Connect the bathing system ONLY to a circuit protected by a CLASS A GFCI



Plumbing Service Notes

- ☞ It is strongly recommended that a floor drain be installed 40" either side of the centerline of the tub.
- ☞ Plumbing service must comply with all applicable building and plumbing codes. A licensed plumber may be required to install incoming water supply.
- ☞ Local plumbing codes may require back-flow preventers to be installed on both the hot and cold water lines.

□4. Install Plumbing Service

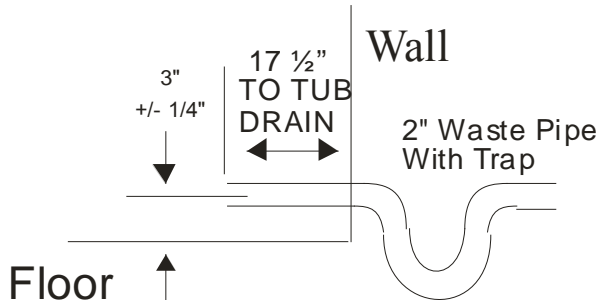


General Notes

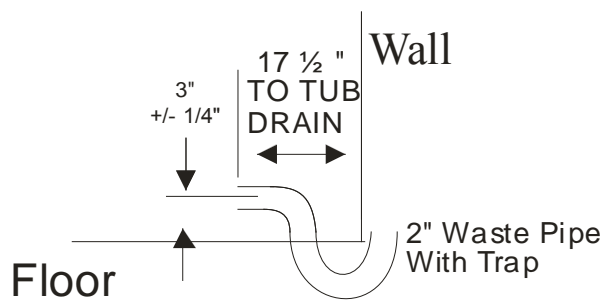
- ☞ **Caution:** Wall and floor openings for the electrical and plumbing service installations should be closed and sealed to help maintain sanitary conditions.
- ☞ **Memo:** "P" Trap to be supplied by customer not manufacturer.

FIG. # 4

Alternate # 1



Alternate # 2



BATHING SYSTEM INSTALLATION

△ General Warnings:

Warning: Risk of electrical shock.

☞ All equipment comes standard with a 120V – 3 prong electrical plug. Plug the bathing system into a 120V AC, 60 Hz, 15 Amp CLASS A GFCI receptacle. All hard wiring must be performed by a licensed electrician following local codes. The main power supply must be disconnected before hard wiring. *Warning!! Failure to disconnect main power before hard wiring unit can result in Electrical Shock, Death or Damage to Equipment not covered with the warranty.* ☞ An equipment grounding terminal is provided in the field wiring compartment (electrical box on the unit). To reduce the risk of electrical shock, this terminal must be connected to the grounding means provided in the electrical supply panel with a conductor equivalent in size to circuit conductors supplying this equipment. ☞ Install this unit in accordance with the Canadian electrical code, part I, in Canada and in accordance with the U.S. national electrical code in the U.S.A. or local codes whichever applies.

Warning: Risk of Scalding.

☞ Hot water can scald people. Temperature control valve must be adjusted before using bath. Do not allow temperature to exceed 109.4 F (43 C)

Other Precautions:

☞ Tub and cabinet components are heavy and bulky. Do not attempt to lift or move this tub or cabinet alone.
☞ Damp or wet floors can be slippery causing falls and serious injury. Dry the floor before starting to install bathing system.
☞ Standing in tub, or on top edge of tub can damage the tub or lead to falls and serious injury. Do not stand in tub during installation or use. Do not allow residents to stand in the tub.

CAUTION: The tub uses flexible hoses--it is an industry standard and is recommended by MasterCare to replace the hoses every five (5) years and to inspect the hoses yearly for any obvious signs of damage, wear, etc. If any signs of damage or wear are noted replace the hoses.

□1. Check Electrical and Plumbing and Service Rough-Ins

☞ Bathing system location identified and marked per instructions in rough-ins
☞ Plumbing installed according to instructions in rough-in manual.
☞ Wall and floor openings around pipes closed and sealed.

□2. Clear Waste Water Drain

☞ Make sure wastewater drain is free of debris

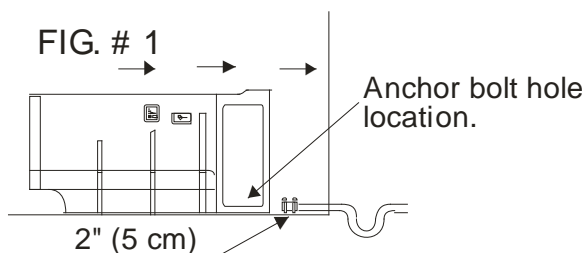
□3. Flush Debris from Hot and Cold Water Service Lines

☞ Flush debris from the incoming hot and cold water lines before connecting tub hoses. Run about 10 gallons through each line into a bucket. This will protect the plumbing valves in the bathing system from potential damage by migration of debris into vital components.
☞ You are now ready to install your MasterCare Integrity Bathing System.

□4. Position Tub

➤ Remove side service access panel, remove disinfectant box by removing the 2 bolts at the top of the box then lift and remove boxes. Set to the side of the door opening. Slide the back of the tub to the wall, centering to the 2" drain rough-in.

➤ Make sure 2" drain on tub is aligned with 2" drain rough-in. Connect with 2" flexible connector (Fernco coupling) don't tighten yet.



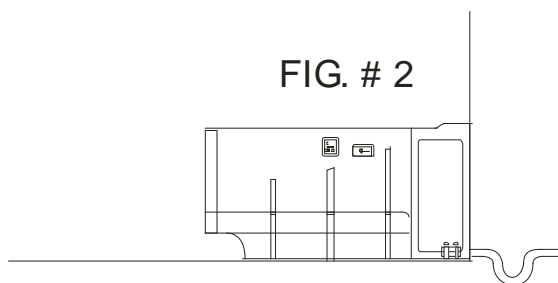
□5. Set Anchors

➤ Find the two 1/4" holes located in the fiberglass rear floor area of the tub. Mark the hole locations on the floor, disconnect the 2" drain and slide the tub forward about six feet. Drill two 1/2" holes for the 1/4" SS anchor bolt anchors. Clean/blow out the holes that were previously drilled. Slide the tub back, connect the drain and set the anchors accordingly.

□6. Reposition Tub Against Wall

➤ Position tub centered on the 2" drain.

➤ Connect hot/ cold water high pressure hoses from the mixing valve inside the tub to the proper hot and cold water supply valves.



□7. Make Final Connections

➤ Align anchor bolt holes in tub floor with anchors in floor. Insert anchor bolts and tighten a few turns leaving them loose.

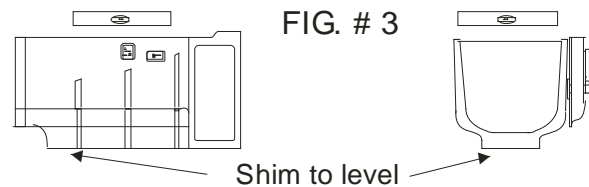
➤ Tighten the Fernco coupling connecting the 2" tub drain to the 2" drain rough-in.

➤ Plug the bathing system into a 120V AC, 60 Hz, 15 Amp CLASS A GFCI receptacle.

➤ Connect the remaining hot water supply hose to the 3/4" upper male hose fitting at the inside top of the disinfectant supply cabinet.

□8. Level Tub

➤ Shim with floor tile as needed to level top edge of tub for proper draining..



△Warning:

➤ If shimming to level tub is necessary because of unlevel floor, use non-porous material such as floor tile. If shimming 3/4" high or more contact MasterCare representative for riser kit to increase the height of carrier for positive tub/chair latch connection.

➤ Transfer chair could drop to floor if tub and carrier rails are not correctly aligned. Tub must be level to facilitate alignment of lower carrier rails to tub rails.

□9. A) Tighten Anchor Bolts

➤ Re-install disinfectant dispensing box.

□10. Wall Trim Kit Installation Instructions

Trim Preparation (See Note Below)

FIG # 1

End View
Trim Seal



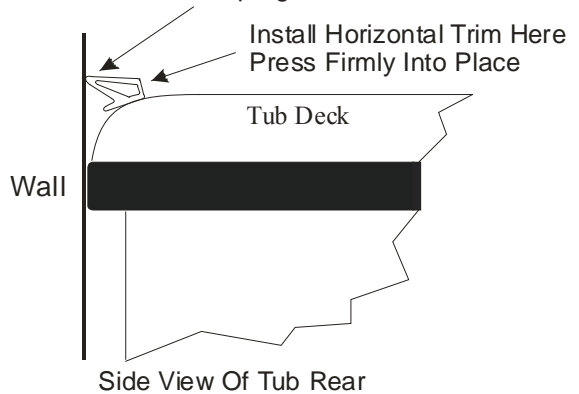
Remove Tape
Before Installing

Install 32 3/8" Length Trim On Top Of Tub Deck

FIG # 2

Compress Horizontal
Trim Tip Against Wall

Install Horizontal Trim Here
Press Firmly Into Place



Install 34 5/8th Inch Length Rear Tub to Wall Both Sides

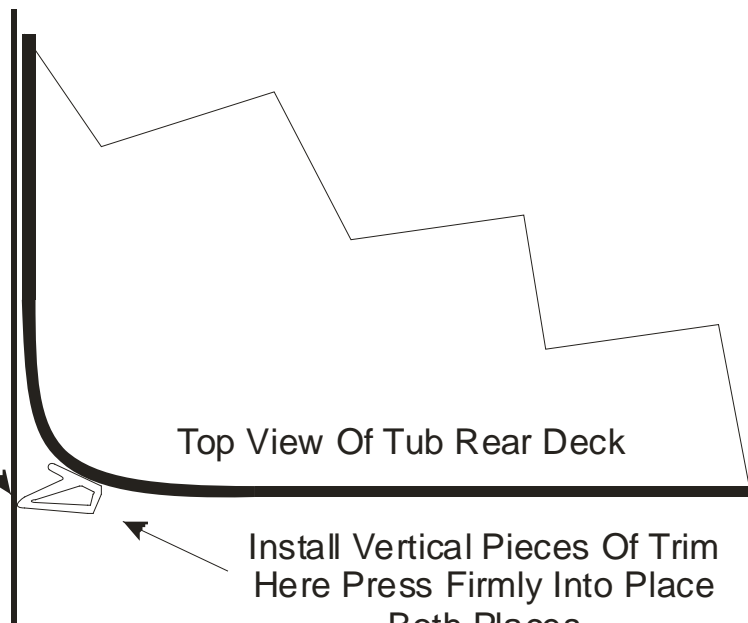
FIG # 3

Wall

Compress Trim
Tip Against Wall

Top View Of Tub Rear Deck

Install Vertical Pieces Of Trim
Here Press Firmly Into Place
Both Places



Note: Before installing the seal trim, clean and wipe dry all curved fiberglass areas the trim seal piece will be adhered to

□11. Connect and Setup Dispensing and Aroma Therapy Systems

↻ Separate comprehensive instructions for this purpose are included in the back of the **Operational Procedures Manual** found in accessory box shipped with the tub transfer chair. Follow the directions in this manual to setup these systems. Also see steps 19 & 20 pages 9 & 10 for general guidelines.

VERIFY SYSTEM OPERATION

□12. Close and Lock Door

↻ Reference the copy of wall chart instructions, page 14 in this manual, as needed during the verification process.

↻ Rotate and position door inside the tub as far as it will go. With both hands push **door** down carefully until it latches in the down position. Rotate **door cam arm** up into full locked position.

□13. Turn On BathAire

↻ Turn on BathAire by pushing the “**BathAire On/Off**” button.

□14. Fill Tub

↻ Rotate “**Drain Open/Close**” lever to the closed position.
↻ Turn on chrome **Tub Fill valve** to full open.
↻ Water should flow freely into tub.
↻ Adjust water temperature by turning the **mixing valve handle** in the appropriate direction while monitoring the **temperature gauge**.

□15. Check for Connector Leaks

↻ Check all hose connections for leaks. While holding **shower wand** over inside of tub turn **chrome shower spray handle** counter clockwise (on) and check for leaks. Turn shower spray off. While holding **disinfectant wand** over inside of tub turn **chrome “disinfectant” handle** counter clockwise (on) and check for leaks. Turn **disinfectant handle** clockwise (off). Tighten any loose connections that are leaking.

□16. Check Fill Temp Gauge

↻ Adjust temperature of the incoming water to approximately 102 F (39 C) by turning the **mixing valve handle** to a position that provides a constant readout of desired temperature on the **Thermometer** located on the tub deck. Then turn the **mixing valve handle** to full hot.

△Warning: Hot water can scald people. Temperature of the water in the tub must not exceed 109.4 F (43 C) or limit per facility policy whichever is less. If it does, call MasterCare’s Technical Service Department 1-800-798-5867 for assistance.

□17. Check BathAire Hydromassage Function

↻ Air bubbles should flow evenly out of all **aerators**. The level of air flow was preset at the factory. Check all functions on the oval **BathAire control panel** per copy of the **operational procedures wall chart** on page 14 of this manual.

□18. Drain Tub

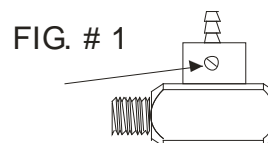
↻ Rotate **Drain Open/Close lever** to open position. Allow tub to drain completely. Check all drain connections for leaks. Make sure all water drains from tub. If not, tub is not level. Level per instructions on page 7.

□19. Check & Adjust Disinfectant Dispensing System

↻ With **disinfectant wand** pointed inside the tub turn chrome **disinfectant “On/Off” handle** counter clockwise all the way on.
↻ The clear tubing line from the one gallon bottle of concentrated cleaner disinfectant should have solution all the way up. After a few seconds a soapy disinfectant solution will emit from the wand. See below for adjustments.

△Caution: The Cleaner/Disinfectant system is preset at the factory to dispense 2 oz. of concentrated disinfectant per gallon of water. Using other brand disinfectant cleaners or system replacement parts could cause this recommended ratio to change and result in an incorrect solution.

↻ The flow rate of concentrate can be adjusted by turning the **adjustment screw** (see figure #1) on the **injector housing** counter clockwise for more, clockwise for less.
↻ The **adjustment screw** can be accessed through the small plugged hole to the left of the **disinfectant “On/Off” handle**.



□20. Check & Program Bath Oil & Shampoo Dispensing System

➤ Remove the **service access door** on the right side of the tub. Connect the one gallon jugs of bath oil and shampoo shipped separately in the Starter Kit to the appropriate dispensing hoses. Bath oil left hose and Shampoo right hose. To prime, push the appropriate button for the solution you want to prime for seven seconds.

➤ Refer to the **Operational Procedures** (In the black binder sent with the tub) for the Bath Oil & Shampoo dispensing system to set up and check the system to make sure it operates as intended. Set to dispense ½ oz. bath oil and ¼ oz shampoo.

If any problems are encountered in items 19 or 20 above, check the Maintenance Instructions included in the aforementioned Operating Instructions or call your local MasterCare Representative or MasterCare direct for technical service support.

CHAIR SYSTEM ADJUSTMENT

△ General Warnings:

➤ **Tub & Chair rails** must align properly to prevent chair derailment and provide smooth transfer of the **chair**.

➤ Transfer system **lower carrier** must latch to avoid disengagement from tub.

➤ Transfer system **lower carrier caster bumpers, docking pin horizontal and vertical, rail mounting bar & bumpers** and **chair rails** alignment must be checked and adjusted before use.

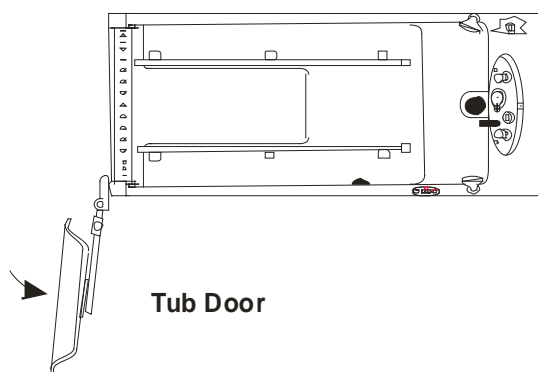
➤ Improper **chair to tub** transfer adjustment could allow residents to fall to the floor resulting in severe injury.

➤ Failure to heed these warnings could result in injury to the patient or operator.

□1. Open Tub Door

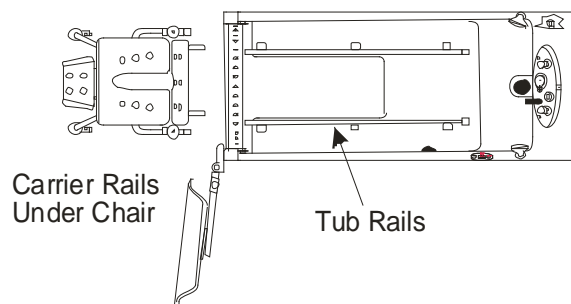
➤ **MEMO:** For model MB-80 with built-in chair without **lower carrier** disregard the rest of this procedure. Do, however, check the function of the **chair lock lever**. Pull up on the lever and move and lock the chair into its four basic positions: front for transfers, all the way back for upright bathing and about ¾" back for reclined bathing. **See drawing of chair features on page 13.**

FIG # 1



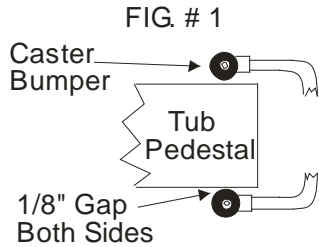
□2. Position Transfer System

FIG # 2



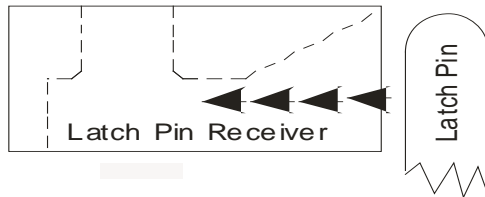
□3. Adjust Rear Caster Bumpers

⇒ Adjust lower rear caster bumpers with two 9/16" wrenches as shown below:

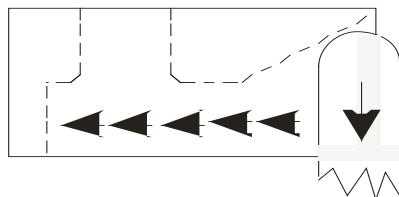


□4. Adjust Carrier Docking Pin To Tub Docking Receiver (See Diagrams Below)

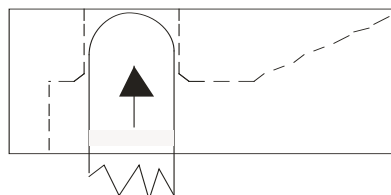
1 Side cut-a-way view of latch pin receiver with chair latch pin positioned prior to docking.



2 Side cut-a-way view of latch pin receiver with chair latch pin in initial engagement phase.



3 Side cut-a-way view of latch pin receiver with chair latch pin in fully engaged position.



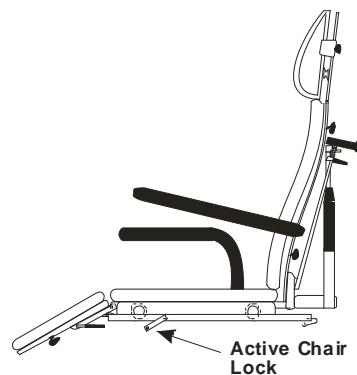
CAUTION! Do not force docking pin into Receiver

⇒ The **docking pin** was adjusted to properly engage the **docking pin** receiver at the factory. However because of uneven floor surfaces, minor adjustments may be needed, you might have to make adjustments to the docking pin device so that it properly aligns and engages the receiver and locks into place.

⇒ Push transfer system gently towards the tub until the **docking pin** engages into the **docking pin** receiver and locks into place.

⇒ If the **docking pin** does not properly engage the receiver and lock into place, carefully transfer the **upper chair** into the **tub** by pulling up on the **active chair lock** (See Fig # 2) and transfer the **chair** from the **carrier rails** onto the **tub rails**. Push the **chair** into the **tub** at least midway to continue with the **docking pin** adjustment.

FIG # 2



⇒ Access the alignment of the **docking pin** to the **receiver** then make the required adjustments for the **docking pin** to properly engage the **receiver** and lock into place. Check by pulling on the **lower carrier** to make sure it is locked into position.

□4. (Continued)

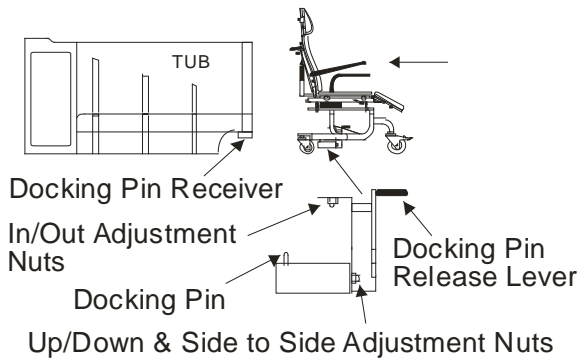
☞The diagram below of the **docking pin** device will help you determine which nuts to loosen to make the required adjustments.

☞Make sure **tub** is level per item # 8 page # 7 before making these adjustments.

☞If the **docking pin** is too high or too low loosen the up/down adjustment nuts and adjust as needed. Tighten the nuts back down securely.

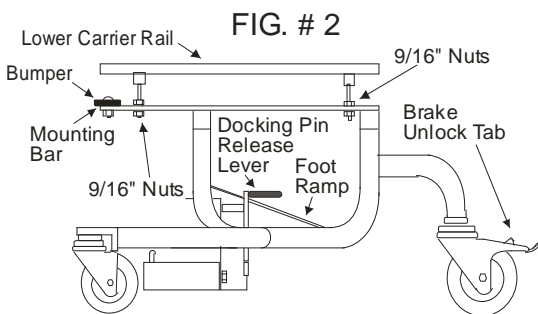
☞Assess the alignment of the **docking pin** to the **receiver** then make the required adjustments for the **docking pin** to properly engage the **receiver** and lock into place.

FIG. # 1



□5. Center Rail Mounting Bars In The Door Opening and Adjust Mounting Bar Bumpers

☞With the carrier correctly latched to the tub, verify the **mounting bars** under the **lower carrier rails** have equal space between the **mounting bars** and the sides of the door opening. If not, loosen the side to **side adjustment nuts** on the **docking pin** and adjust as needed. Verify all **docking pin assembly nuts** and **bolts** are tight.



□6. Align Lower Carrier Rails to Tub Rails

☞Position the **lower carrier rails** flush against the **tub rails**.

☞Looking down from the top, the two **lower carrier rails** should align parallel with the **tub rails**. Looking from the side, the top of the two **carrier rails** should be 1/16" above the plain of the tub rails. See below:

FIG. # 3

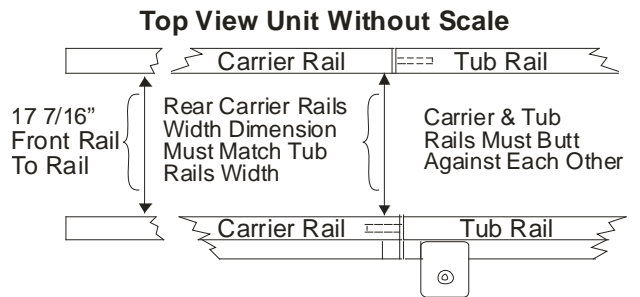


FIG. # 4

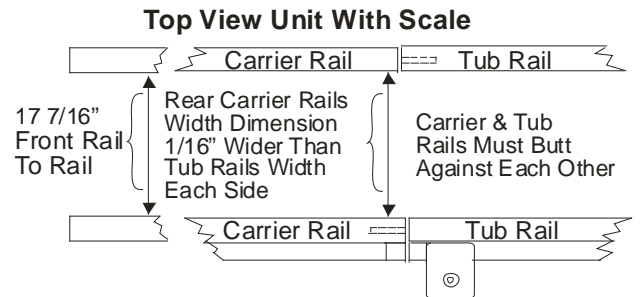


FIG. # 5

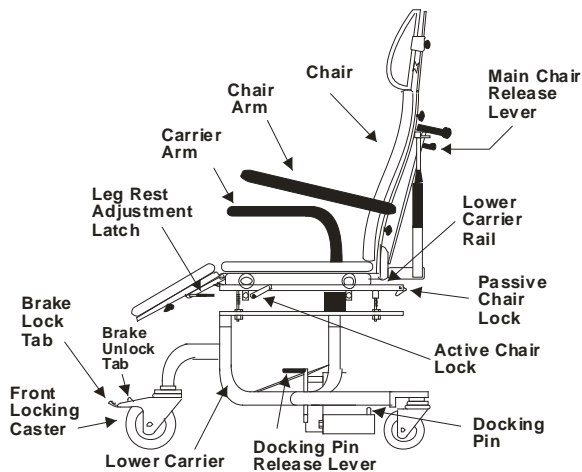


☞To adjust, loosen the **9/16" nuts** at the base of the **lower carrier rails**. See Figure # 2 on this page. Then make the required up/down and side to side adjustments to match the **lower carrier rails** to the **tub rail**. Tighten the **nuts** against each other when the desired adjustment is achieved.

□7. Return Chair From Inside Tub to Lower Carrier Rails.

➤ Release **chair** from a locked position by pulling up on **main chair release lever** (See figure # 1 below). Holding the **release lever** up, roll the **chair** forward onto the **lower carrier rails** until it locks into position.

Figure # 1 Transfer System



□8. Release Transfer System From Tub

➤ Unlock the **caster brakes** by stepping down on the **caster brake unlock tabs** (Figure # 1 above).
➤ Release the **lower carrier** from its connection to the **tub** by stepping down on the **docking pin release lever** (Figure # 1 above) and pushing the **transfer system** away from the tub.

□9. Final Check

➤ As a final check, using the above techniques, reconnect the **transfer system** to the tub. Transfer the **chair** back into the **tub**. Then back onto the **lower carrier rails**. These functions should be smooth and easy to achieve. If not make the re-adjustments as necessary to achieve the desired function.

□10. Clean & Rinse The Bathing System Before Using

➤ Before using this equipment:

- Remove all rough debris from inside the tub.
- Clean and rinse the system following the guidelines in the Operational Procedures Manual.

□11. Operations

➤ Before using the system to bathe individuals the operator must be trained by a qualified trainer (an authorized MasterCare Representative or facility In-service Trainer) in the proper use of this equipment according to the guidelines in the Operations Manual.
➤ For first time users of this equipment call your local MasterCare Representative or MasterCare Patient Equipment, Inc. to make arrangements for training.

OPERATING INSTRUCTIONS

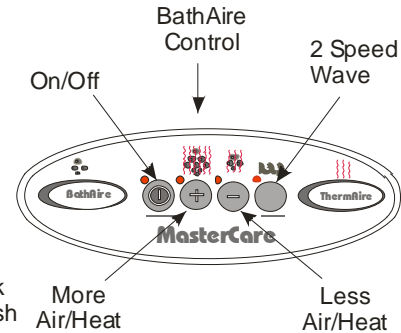
MasterCare Integrity Bath Model MB-80

1) Prior to transferring resident into the tub:

* Push **BathAire Control On/Off Button** to turn on and adjust to desired speed using **More & Less Air/Heat Buttons**.

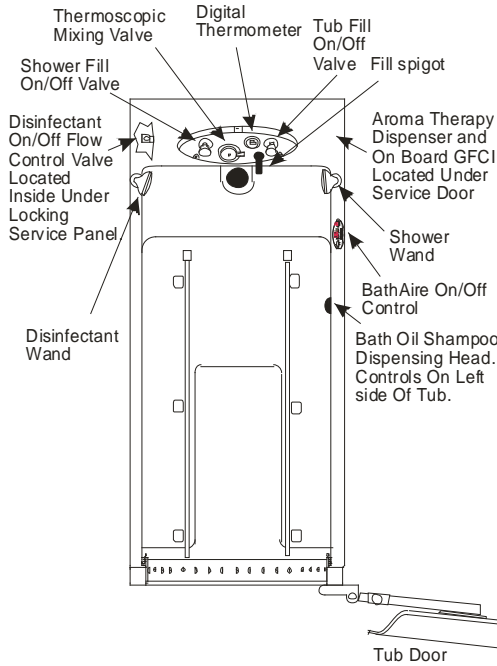
2) Transfer resident into tub:

- * Open **Tub Door**. Back **Chair** towards tub to align **Chair Rails** with **Tub Rails**.
- * Push **Chair** back until **Lower Carrier Latch Pin** is engaged in the **Receiver** (located in the lower front center of the tub) and lock into position. Test by pulling on **Chair/Carrier** arms to make sure **Lower Carrier** is locked into position. Lock front **Locking Casters** by stepping down on **Brake Lock**. Adjust **Leg Rest** up one click by pulling up on **Leg Rest**.
- * Pull up on **Active Chair Lock**, push chair into tub. Release **Locking Casters**. Unlock **Lower Carrier** from tub by stepping down on the **Docking Pin Release Lever** and push out-of-way. If tub has **Built-in Chair**, lock into front position, verify that it is locked by pushing on it, then transfer resident onto **Chair**.
- * Position door inside tub, push down until it latches and rotate **Door Cam Arm** up.



3) To fill tub:

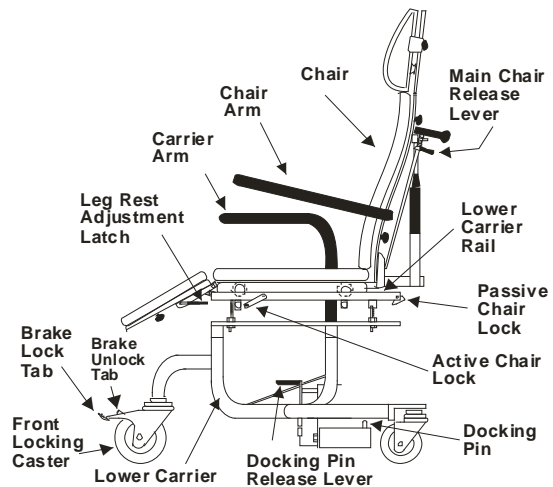
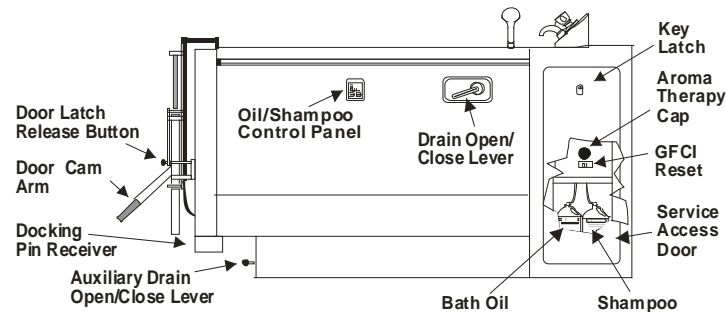
With resident's legs positioned up on **Leg Rest**, lift **Shower Wand** from holder, point towards inside tub wall. Turn **Shower Control Valve** on. Adjust **Mixing Valve** for desired safe water temperature per facility policy (See Warning # 1 below). Test on wrist to make sure it is safe and comfortable. If ok, lower resident's legs. Turn **Shower Control Valve** off and place **Shower Wand** back in holder. Close drain. Turn on the **Fill Valve** and continue monitoring the **Thermometer** to maintain temperature until tub is full. Turn off the **Fill Valve** when desired water level is reached.



4) To use shower wand: Follow procedure in **step # 3** above. Test on wrist before showering resident.

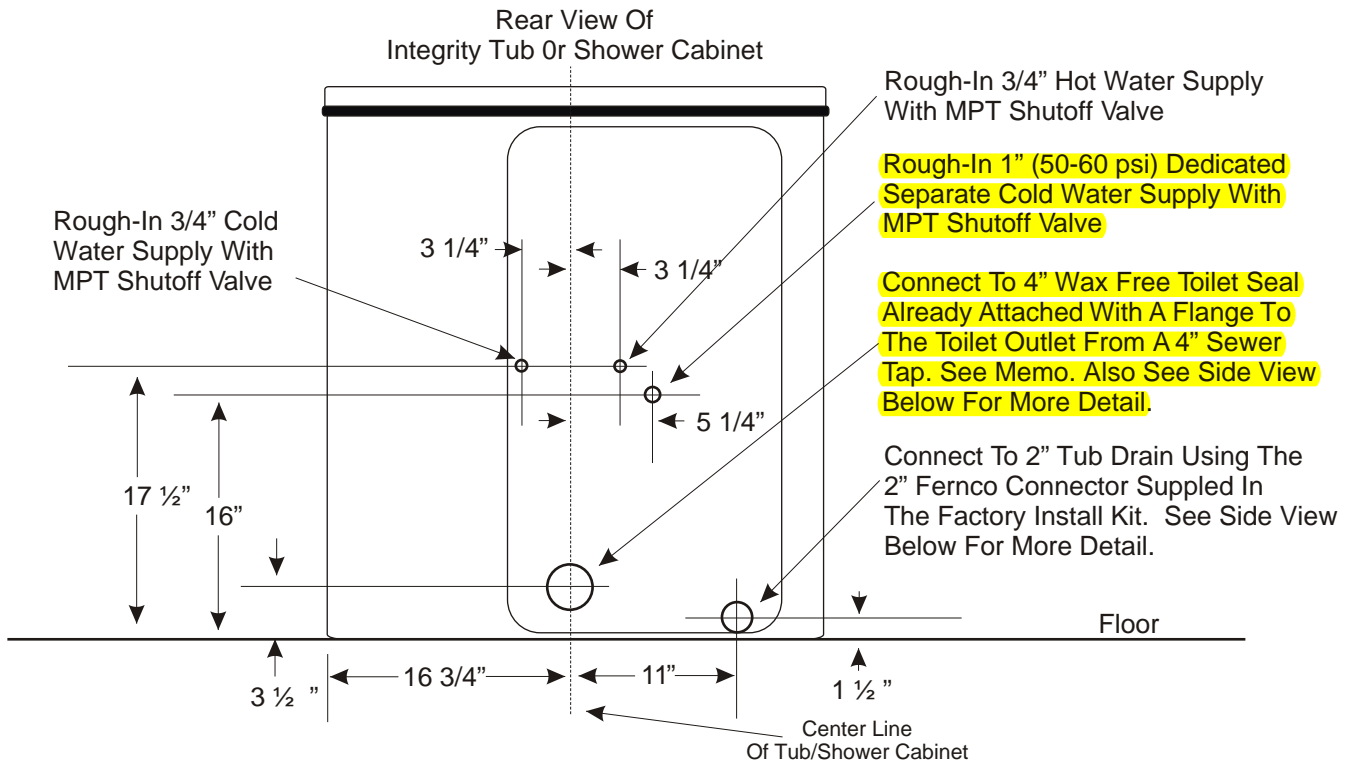
5) To remove resident from tub: Open drain. After water is drained, turn off **BathAire** and open **door**. Adjust **Leg Rest** one click up. Align **Lower Carrier** and engage per **step #1** above then lock the **Front Casters**. Pull up on **Main Chair Release Lever**, then roll resident onto **Chair Rails**. (See warning # 2 below) Unlock **Front Casters**. Step down on **Docking Pin Release Lever** to disengage **Lower Carrier** from **tub** to transfer resident. If **tub** has **built-in chair**, lock into front position and transfer resident out using good ergonomic techniques.

6) To Clean/Sanitize Tub: Return **Chair** to inside of **tub**. Close door and rotate **Door Cam Arm** up. Close drain. Rinse inside surfaces of tub with **Shower Wand**. Apply MasterCare disinfectant cleaner with **Disinfectant Wand** to all **chair parts**, inside tub surfaces and removed pads. Scrub with **brush**. Follow directions on disinfectant cleaner label. Rinse with hot water. Open **Drain**. Remove, **pads** and **belts** for daily cleaning and sanitizing.

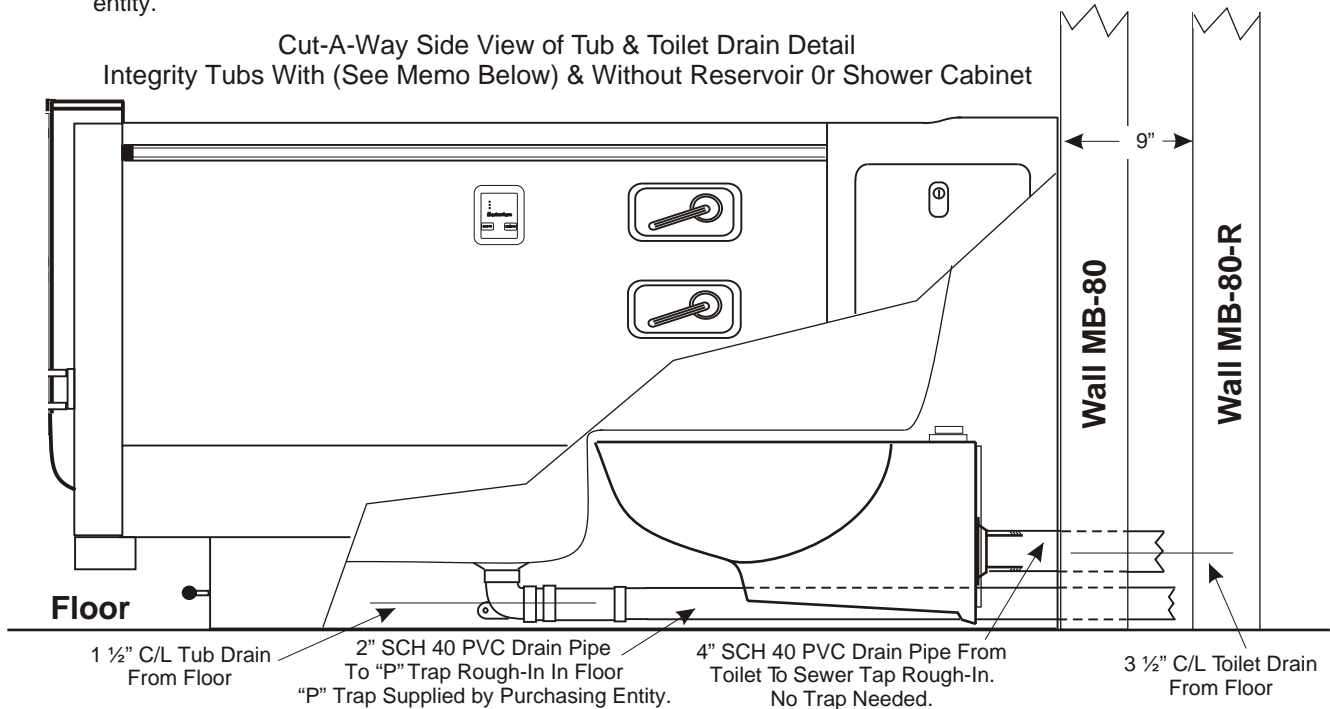




MB-80 Installation Manual
(Specifications & Rough-In Included)
 for MasterCare Shower Cabinets & Integrity Bath
 Systems With Built-In Toilet Feature



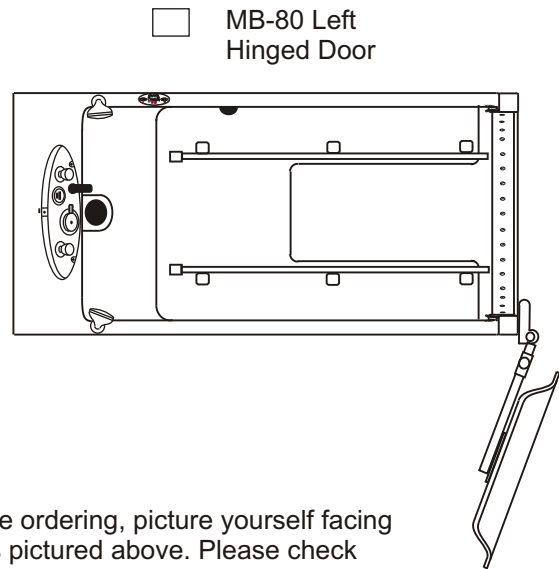
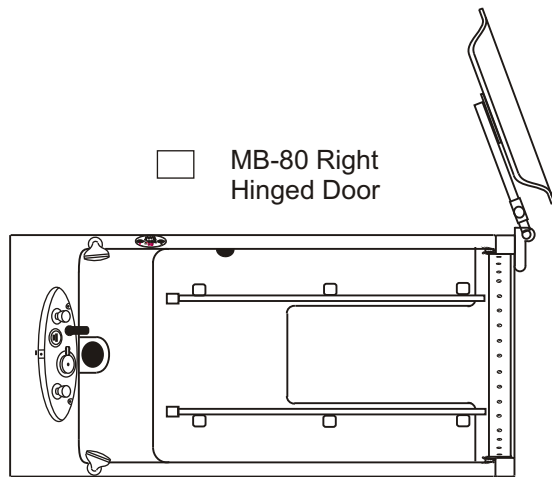
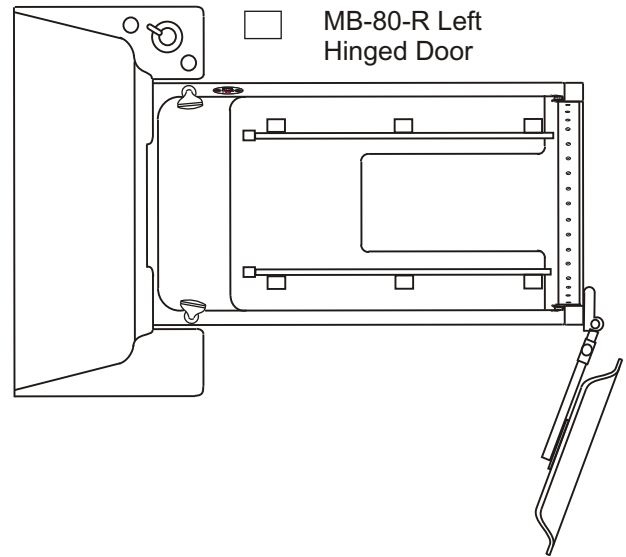
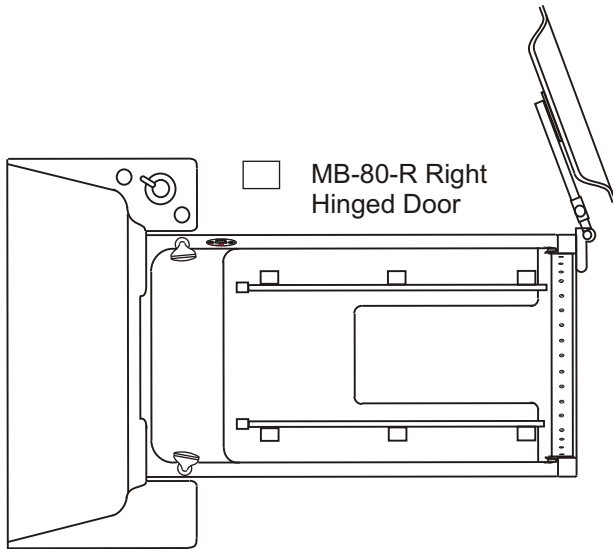
- Memo: 1) Local codes that require connection to a 4" sewer tap will be the responsibility of the purchasing entity.
 2) For electrical rough-ins use the same guidelines in the standard Integrity Rough-In Manual which these special instructions were inserted in.
 3) MasterCare's bathing and showering systems are certified as meeting all national plumbing and electrical codes. Local codes exceeding the requirements of the national codes are the responsibility of the purchasing entity.



Memo: Above drawing shows the Integrity Tub Without Reservoir Model MB-80. The Integrity Tub With Reservoir (not shown) has the same exact tub & toilet drain specifications with the tub rear 9" from the wall. This allows you install rough-ins for connection to the tub and toilet drains within the 9" space between the rear of the tub and the wall.



MB-80 Integrity Bath



To determine the hinged door location on the Integrity tub you are ordering, picture yourself facing the open end of the tub. The door will swing to the right or left as pictured above. Please check the box next to the model number above for the hinged door location you need. Fill out the information below and fax/e-mail this document along with your Proposal back to us. Call us on our 800 number if you have any questions. For multiple units of different configurations write # needed by each check mark.

Facility Name: _____ Authorized Purchaser Name: _____

Title: _____ Signature: _____ Date: _____



Gen II Mixing Valve Requirements:

The **MasterCare** Bathing System for safety purposes is supplied with a thermostatic mixing valve that is ASSE 1016-T listed, UPC listed and CSA certified to the most stringent mixing valve safety standards in the industry.

To achieve optimum results the valve manufacturer requires 120° F hot water supply at the valve and 59° F cold water supply at the valve. These temperatures will achieve a 100° F blend of water.

Note: After installation and before use verify that the cartridge screens are clean. Remove and carefully clean any debris from the screens.

If the water heaters temperature is regulated at the source with a tempering valve the hot water temperature by the time it reaches the mixing valve on the bathing system may be inadequate (based on line size, distance water must travel and insulation) corrective options are as follows.

Preferred Option:

1. Run a dedicated ¾" hot water line to the tub with 120° F minimum to 150° F maximum water temperature at 45 PSI to the high pressure hot water hose connecting to the mixing valve on the tub. Note: **MasterCare** provides a code approved point of use ASSE 1016-T listed mixing valve to safely regulate the tub and shower temperature in the bathing system.

Alternative Options:

1. Adjust the **MasterCare** Gen II Mixing Valve to compensate for inadequate hot water supply.
2. Order a **MasterCare** manual mixing valve override knob. This knob will allow for a manual override of the anti-scald thermostatic mixing valve. Note: A signed release exempting **MasterCare** from liability will be required.
3. Slightly restrict the cold water supply to provide more hot water.